



## Luminaire

# Ture

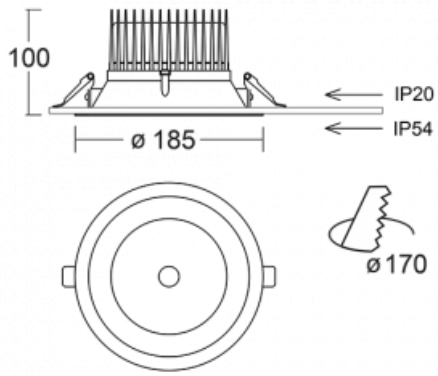
56-001L-10GHV/840, W +  
00-00152E



It is a circular recessed luminaire of the downlight type with an excellent UGR index < 19 up to 3000 lm, which means that the luminaire does not dazzle. The luminaire is suitable for offices, meeting rooms and, thanks to special sources, also for showrooms. RealWhite highlights the white, StrongColour highlights the selected colour, and RealColour emphasizes the colour of the object. With Tunable White you can set the colour temperature according to the time of day. With the help of these sources, the illuminated objects will look even more attractive. The IP54 class means high level of protection against the penetration of water and foreign matter. Thus, you can use this luminaire even in a demanding environment, such as a wellness centre. Its efficacy is up to 118 lm/W. Ture is available in three versions – a small luminaire with a diameter of 145 mm, a medium luminaire with a diameter of 185 mm and the largest luminaire with a diameter of 226 mm.

|                                   |                           |
|-----------------------------------|---------------------------|
| Type of installation              | Recessed                  |
| Light distribution                | Direct                    |
| Luminaire shape                   | Circular                  |
| Colour of the luminaires          | White                     |
| Material                          | Aluminium                 |
| Lifetime                          | L80/B20 50 000 hours      |
| Warranty                          | 5 years                   |
| Description of luminaires         | Luminaire recessed        |
| Dimensions                        | ø 185 mm × 100 mm         |
| Weight                            | 0.72 kg                   |
| Type of optical system            | Plain aluminium reflector |
| Luminous flux*                    | 2220 lm                   |
| Colour Temperature                | 4000 K cool white         |
| Luminous efficacy                 | 123 lm/W                  |
| MacAdam Light source              | 3                         |
| Colour rendering index            | 80                        |
| UGR max. X=4H<br>Y=8H, ρ=70,50,20 | 12.5                      |

## Technical drawing



Luminaire power input\* 18 W

Connection of the luminaires ON/OFF

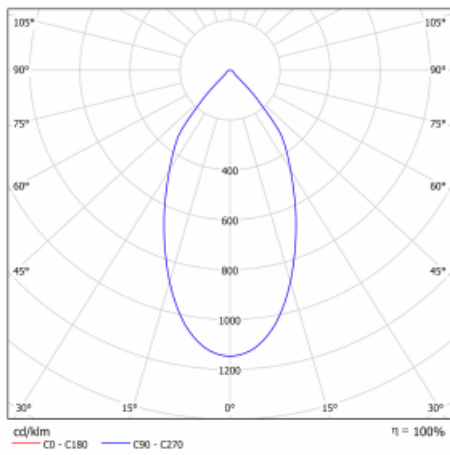
Electrical voltage 220-240V

Frequency 50/60Hz

☐ CE IP 54

\* $\pm 10\%$

## Curve



## Downloads

Installation instructions



Photos

