



## Luminaire

# Ture

56-001K-10GHV/840, B +  
00-00155DI



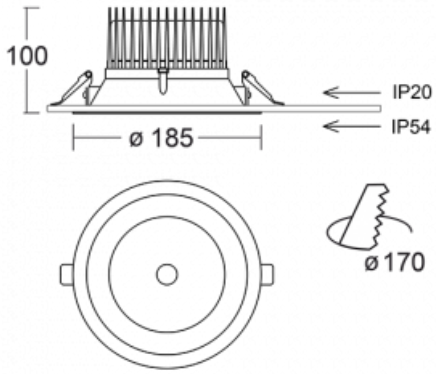
It is a circular recessed luminaire of the downlight type with an excellent UGR index < 19 up to 3000 lm, which means that the luminaire does not dazzle. The luminaire is suitable for offices, meeting rooms and, thanks to special sources, also for showrooms. RealWhite highlights the white, StrongColour highlights the selected colour, and RealColour emphasizes the colour of the object. With Tunable White you can set the colour temperature according to the time of day. With the help of these sources, the illuminated objects will look even more attractive. The IP54 class means high level of protection against the penetration of water and foreign matter. Thus, you can use this luminaire even in a demanding environment, such as a wellness centre. Its efficacy is up to 118 lm/W. Ture is available in three versions – a small luminaire with a diameter of 145 mm, a medium luminaire with a diameter of 185 mm and the largest luminaire with a diameter of 226 mm.

Type of installation	Recessed
Light distribution	Direct
Luminaire shape	Circular
Colour of the luminaires	Black
Material	Aluminium
Lifetime	L80/B20 50 000 hours
Warranty	5 years
Description of luminaires	Luminaire recessed
Dimensions	ø 185 mm × 100 mm
Weight	0.64 kg
Type of optical system	Opal diffuser
Luminous flux*	2420 lm
Colour Temperature	4000 K cool white
Luminous efficacy	99 lm/W
MacAdam Light source	3
Colour rendering index	80
Luminaire power input*	24.5 W
Connection of the luminaires	DALI
Electrical voltage	220-240V
Frequency	50/60Hz

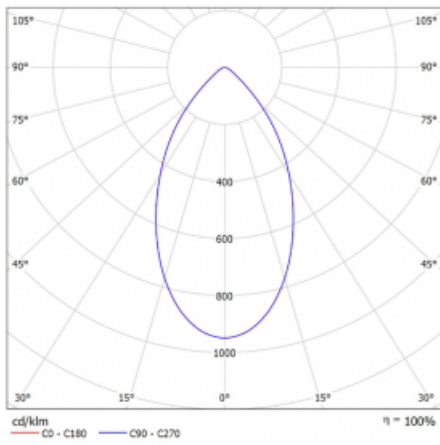
 **CE IP 54**

\*±10 %

## Technical drawing



## Curve



## Downloads

Installation instructions



Photos

