



## Luminaire

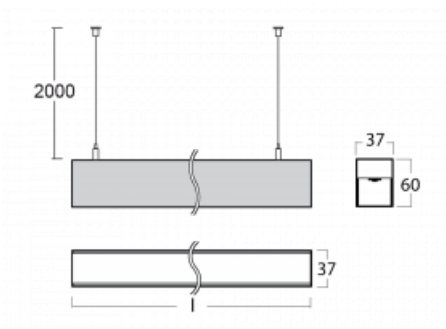
# Lina35

35-500K-80GEE/830, B



The linear luminaires of the Lina35 family represent one of the thinnest profiles in our product range, while you can choose from several different lengths. The luminaires with direct distribution of light are available in the pendant, surface and recessed versions. Thanks to the option to extend and retract the opal diffuser, you can find the ideal combination of lights for a specific interior according to your needs. Thanks to this variability, Lina35 can be used in virtually all areas, but especially in the social, public and commercial ones. Luminaires with an extended diffuser diffuse their light into a significantly larger area thus helping to soften the entire interior.

## Technical drawing



|  |                         |
|--|-------------------------|
| Type of installation                   | Suspended               |
| Light distribution                     | Direct                  |
| Luminaire shape                        | Linear                  |
| Colour of the luminaires               | Black                   |
| Material                               | Aluminium               |
| Lifetime                               | L90/B50 50 000 hours    |
| Warranty                               | 60 months               |
| Description of luminaires              | Luminaire suspended     |
| Dimensions                             | 4488 mm × 37 mm × 60 mm |
| Weight                                 | 6.4 kg                  |
| Light source                           | LED MODUL               |
| Type of optical system                 | Opal diffuser           |
| Luminous flux                          | 5520 lm ± 10 %          |
| Colour Temperature                     | 3000 K warm white       |
| Luminous efficacy                      | 89 lm/W                 |
| MacAdam Light source                   | 2                       |
| Colour rendering index                 | 80                      |
| UGR max. X=4H<br>Y=8H, $\rho=70,50,20$ | 25.1                    |

## Curve



Luminaire power input 61.8 W ± 10 %

Connection of the luminaires Electronic ballast non-dimmable

Electrical voltage 220-240V

Frequency 50/60Hz

⊕ CE IP 20

## Downloads

Installation instructions



Photos

