



Luminaire

Rundo 24

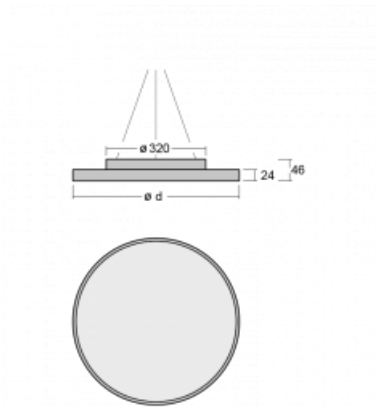
290-241I-10GGE/840, S +
00-00334, S



Circular luminaires with an aluminium profile come in height 24 mm. Rundo24 luminaires feature an excellent efficacy of up to 145 lm/W, which can give the space lightness and appeal. The luminaires are pendant or flush-mounted, with direct or direct-indirect distribution of light creating an interesting light halo. A circular luminaire with a PMMA opal diffuser or microprismatic optical system is suitable for both commercial spaces and households. A playful and interesting effect can be created by combining different diameters. Luminaires can be equipped with a motion sensor, daylight sensor or Bluetooth technology, which allows easy control of the luminaire from your smart device.

Type of installation	Suspended
Light distribution	Direct-indirect
Luminaire shape	Circular
Colour of the luminaires	Silver
Material	Aluminium
Lifetime	L80/B20 50 000 hours
Warranty	5 years
Description of luminaires	Luminaire suspended
Dimensions	ø 410 mm × 24 mm
Weight	3.2 kg
Light source	LED MODUL
Type of optical system	Microprisma
Luminous flux*	3060 lm
Colour Temperature	4000 K cool white
Luminous efficacy	147 lm/W
MacAdam Light source	3
Colour rendering index	80
UGR max. X=4H Y=8H, $\rho=70,50,20$	17.7

Technical drawing



Luminaire power input* 20.8 W

Connection of the luminaires ON/OFF

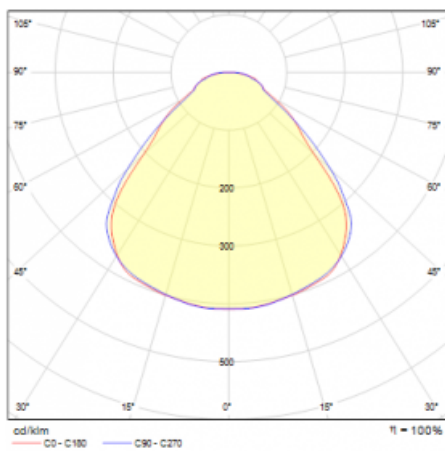
Electrical voltage 220-240V

Frequency 50/60Hz

⊕ CE IP 40

*±10 %

Curve



Downloads

Installation instructions



Photos

