



## Luminaire

# Rundo 24

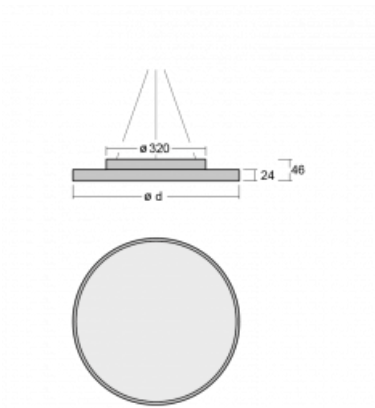
290-240K-10GED/830, B +  
00-00334, B



Circular luminaires with an aluminium profile come in height 24 mm. Rundo24 luminaires feature an excellent efficacy of up to 145 lm/W, which can give the space lightness and appeal. The luminaires are pendant or flush-mounted, with direct or direct-indirect distribution of light creating an interesting light halo. A circular luminaire with a PMMA opal diffuser or microprismatic optical system is suitable for both commercial spaces and households. A playful and interesting effect can be created by combining different diameters. Luminaires can be equipped with a motion sensor, daylight sensor or Bluetooth technology, which allows easy control of the luminaire from your smart device.

|  |                      |
|--|----------------------|
| Type of installation                   | Suspended            |
| Light distribution                     | Direct               |
| Luminaire shape                        | Circular             |
| Colour of the luminaires               | Black                |
| Material                               | Aluminium            |
| Lifetime                               | L80/B20 50 000 hours |
| Warranty                               | 5 years              |
| Description of luminaires              | Luminaire suspended  |
| Dimensions                             | ø 410 mm × 24 mm     |
| Weight                                 | 3.2 kg               |
| Light source                           | LED MODUL            |
| Type of optical system                 | Opal diffuser        |
| Luminous flux*                         | 1590 lm              |
| Colour Temperature                     | 3000 K warm white    |
| Luminous efficacy                      | 129 lm/W             |
| MacAdam Light source                   | 3                    |
| Colour rendering index                 | 80                   |
| UGR max. X=4H<br>Y=8H, $\rho=70,50,20$ | 21.8                 |

## Technical drawing



Luminaire power input\* 12.3 W

Connection of the luminaires DALI

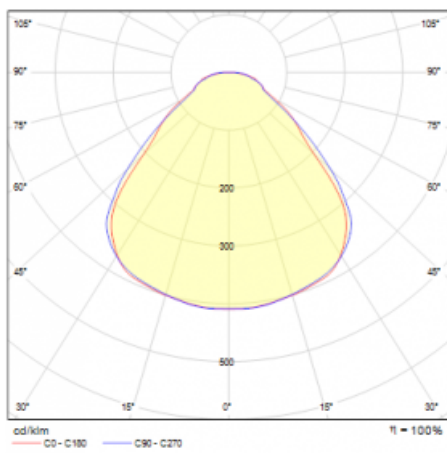
Electrical voltage 220-240V

Frequency 50/60Hz

⊕ CE IP 40

\*±10 %

## Curve



## Downloads

Installation instructions



Photos

