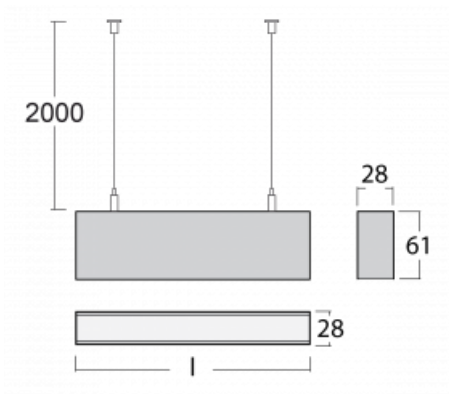



**Luminaire**

# Lina28

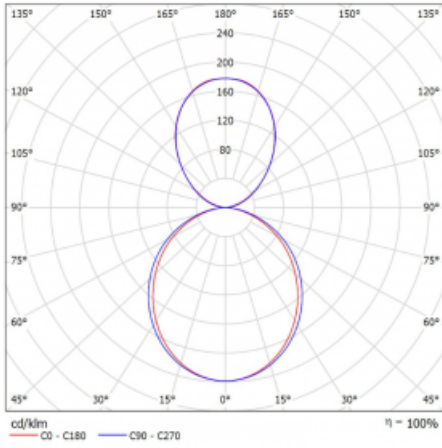
**28-501K-20GED/840, B**


The Lina28 luminaire with direct or direct-indirect light distribution is the thinnest linear luminaire in our product range. It is made of highquality aluminium profile and the luminaire also includes an electronic ballast, which does not need to be placed outside the luminaire, as is usual with such thin profiles. The luminaire features an integrated optical louver, which ensures low values of the UGR parameter, or, as an alternative option, an opal diffuser made of PMMA material which guarantees a premium UV stability. All of this makes the pendant luminaire suitable for offices, corridors, social spaces or whenever a minimalist design is required. Share

**Technical drawing**


|  |                         |
|--|-------------------------|
| Type of installation                   | Suspended               |
| Light distribution                     | Direct-indirect         |
| Luminaire shape                        | Linear                  |
| Colour of the luminaires               | Black                   |
| Material                               | Aluminium               |
| Lifetime                               | L80/B20 50 000 hours    |
| Warranty                               | 5 years                 |
| Description of luminaires              | Luminaire suspended     |
| Dimensions                             | 1127 mm × 28 mm × 61 mm |
| Weight                                 | 2 kg                    |
| Light source                           | LED MODUL               |
| Type of optical system                 | Opal diffuser           |
| Luminous flux*                         | 2500 lm                 |
| Colour Temperature                     | 4000 K cool white       |
| Luminous efficacy                      | 111 lm/W                |
| MacAdam Light source                   | 3                       |
| Colour rendering index                 | 80                      |
| UGR max. X=4H<br>Y=8H, $\rho=70,50,20$ | 23.7                    |

## Curve



Luminaire power input\* 22.5 W

Connection of the luminaires DALI

Electrical voltage 220-240V

Frequency 50/60Hz

⊕ CE IP 20

\*±10 %

## Downloads

Installation instructions



Photos

