



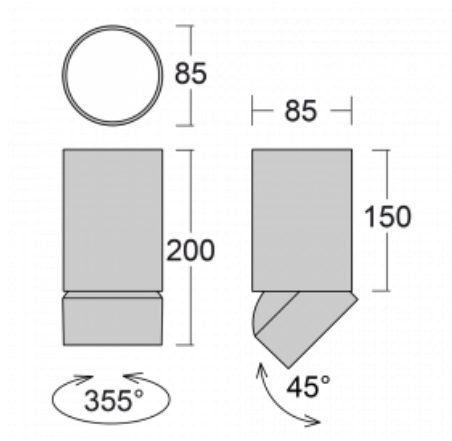
## Luminaire

# Shift-C

26-500W-10GDE/930, W



## Technical drawing



|                              |                                 |
|------------------------------|---------------------------------|
| Type of installation         | Suspended                       |
| Light distribution           | Direct                          |
| Luminaire shape              | Circular                        |
| Colour of the luminaires     | White                           |
| Material                     | Aluminium                       |
| Lifetime                     | L80/B20 50 000 hours            |
| Warranty                     | 60 months                       |
| Description of luminaires    | Luminaire suspended             |
| Dimensions                   | ø 85 mm × 200 mm                |
| Light source                 | LED MODUL                       |
| Type of optical system       | Reflector                       |
| Luminous flux                | 1000 lm ± 10 %                  |
| Colour Temperature           | 3000 K warm white               |
| Luminous efficacy            | 105 lm/W                        |
| MacAdam Light source         | 3                               |
| Colour rendering index       | 90                              |
| Beam angle                   | 52°                             |
| Luminaire power input        | 9.5 W ± 10 %                    |
| Connection of the luminaires | Electronic ballast non-dimmable |
| Electrical voltage           | 220-240V                        |
| Frequency                    | 50/60Hz                         |



# Curve



**Accessories****00-01000**  
reflector 18°**00-01001**  
reflector 25°**00-01002**  
reflector 32°**00-01003**  
reflector 52°**00-01100**  
Satinice diffuser**00-01101**  
Linear optic