



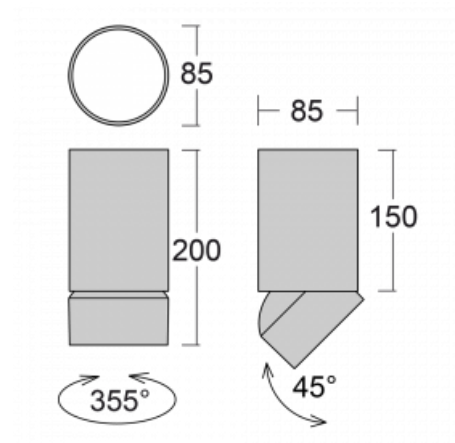
Luminaire

Shift-C

26-500U-10GGD/930, S



Technical drawing



| | |
|------------------------------|----------------------|
| Type of installation | Suspended |
| Light distribution | Direct |
| Luminaire shape | Circular |
| Colour of the luminaires | Silver |
| Material | Aluminium |
| Lifetime | L80/B20 50 000 hours |
| Warranty | 60 months |
| Description of luminaires | Luminaire suspended |
| Dimensions | ø 85 mm × 200 mm |
| Light source | LED MODUL |
| Type of optical system | Reflector |
| Luminous flux | 1720 lm ± 10 % |
| Colour Temperature | 3000 K warm white |
| Luminous efficacy | 99 lm/W |
| MacAdam Light source | 3 |
| Colour rendering index | 90 |
| Beam angle | 25° |
| Luminaire power input | 17.3 W ± 10 % |
| Connection of the luminaires | DALI dimmable |
| Electrical voltage | 220-240V |
| Frequency | 50/60Hz |


CE IP 20

Curve



Accessories**00-01000**
reflector 18°**00-01001**
reflector 25°**00-01002**
reflector 32°**00-01003**
reflector 52°**00-01100**
Satinice diffuser**00-01101**
Linear optic