



## Luminaire

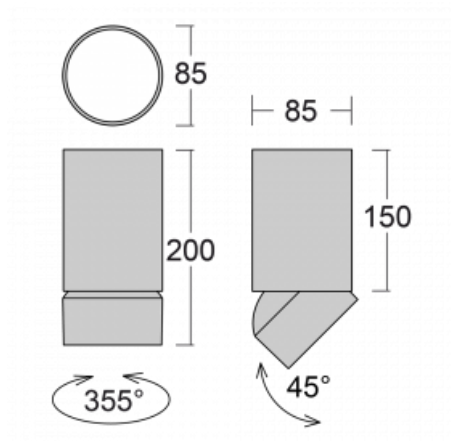
# Shift-C

26-500F-10GGE/940, S



Type of installation	Suspended
Light distribution	Direct
Luminaire shape	Circular
Colour of the luminaires	Silver
Material	Aluminium
Lifetime	L80/B20 50 000 hours
Warranty	5 years
Description of luminaires	Luminaire suspended
Dimensions	ø 85 mm × 200 mm
Weight	1.3 kg
Light source	LED MODUL

## Technical drawing



Type of optical system	Reflector
Luminous flux*	1810 lm
Colour Temperature	4000 K cool white
Luminous efficacy	105 lm/W
MacAdam Light source	3
Colour rendering index	90
Beam angle	32°

## Curve



Luminaire power input\* 17.3 W

Connection of the luminaires ON/OFF

Electrical voltage 220-240V

Frequency 50/60Hz

⊕ CE IP 20

\*±10 %

**Accessories****00-01000**  
reflector 18°**00-01001**  
reflector 25°**00-01002**  
reflector 32°**00-01003**  
reflector 52°**00-01100**  
Satinice diffuser**00-01101**  
Linear optic