

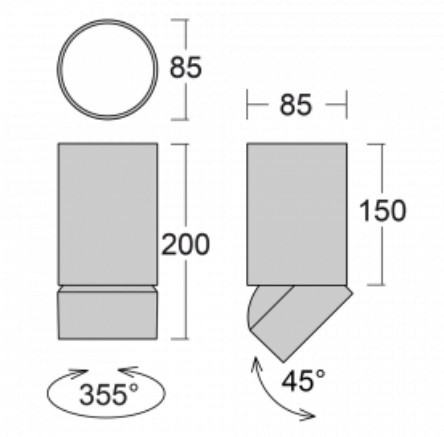

**Luminaire**

# Shift-C

26-200W-10GDE/940, B



|                           |                      |
|---------------------------|----------------------|
| Type of installation      | Surface              |
| Light distribution        | Direct               |
| Luminaire shape           | Circular             |
| Colour of the luminaires  | Black                |
| Material                  | Aluminium            |
| Lifetime                  | L80/B20 50 000 hours |
| Warranty                  | 60 months            |
| Description of luminaires | Luminaire surface    |
| Dimensions                | ø 85 mm × 200 mm     |
| Weight                    | 1 kg                 |
| Light source              | LED MODUL            |

**Technical drawing**


|                        |                   |
|------------------------|-------------------|
| Type of optical system | Reflector         |
| Luminous flux          | 1060 lm ± 10 %    |
| Colour Temperature     | 4000 K cool white |
| Luminous efficacy      | 112 lm/W          |
| MacAdam Light source   | 3                 |
| Colour rendering index | 90                |
| Beam angle             | 52°               |

## Curve



Luminaire power input 9.5 W ± 10 %

Connection of the luminaires Electronic ballast non-dimmable

Electrical voltage 220-240V

Frequency 50/60Hz

⊕ CE IP 20

**Accessories****00-01000**  
reflector 18°**00-01001**  
reflector 25°**00-01002**  
reflector 32°**00-01003**  
reflector 52°**00-01100**  
Satinice diffuser**00-01101**  
Linear optic