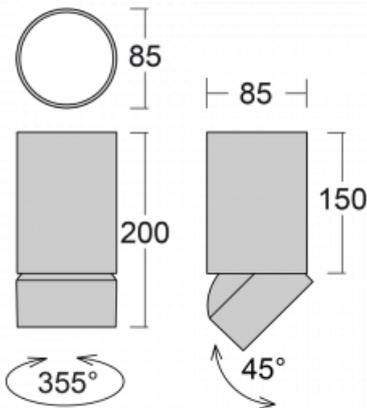



Luminaire

Shift-C

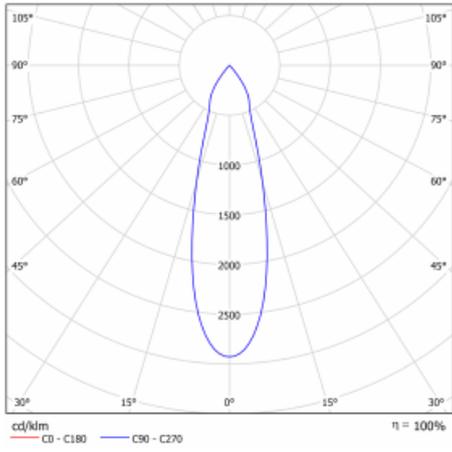
26-200U-10GDE/940, B


Technical drawing


Type of installation	Surface
Light distribution	Direct
Luminaire shape	Circular
Colour of the luminaires	Black
Material	Aluminium
Lifetime	L80/B20 50 000 hours
Warranty	60 months
Description of luminaires	Luminaire surface
Dimensions	ø 85 mm × 200 mm
Light source	LED MODUL
Type of optical system	Reflector
Luminous flux	1060 lm ± 10 %
Colour Temperature	4000 K cool white
Luminous efficacy	112 lm/W
MacAdam Light source	3
Colour rendering index	90
Beam angle	25°
Luminaire power input	9.5 W ± 10 %
Connection of the luminaires	Electronic ballast non-dimmable
Electrical voltage	220-240V
Frequency	50/60Hz


CE IP 20

Curve



Accessories**00-01000**
reflector 18°**00-01001**
reflector 25°**00-01002**
reflector 32°**00-01003**
reflector 52°**00-01100**
Satinice diffuser**00-01101**
Linear optic