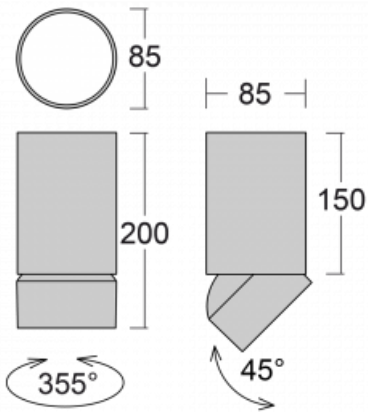



**Luminaire**

# Shift-C

26-200U-10GDE/930, B


**Technical drawing**


|                           |                      |
|---------------------------|----------------------|
| Type of installation      | Surface              |
| Light distribution        | Direct               |
| Luminaire shape           | Circular             |
| Colour of the luminaires  | Black                |
| Material                  | Aluminium            |
| Lifetime                  | L80/B20 50 000 hours |
| Warranty                  | 60 months            |
| Description of luminaires | Luminaire surface    |
| Dimensions                | ø 85 mm × 200 mm     |
| Light source              | LED MODUL            |

|                        |                   |
|------------------------|-------------------|
| Type of optical system | Reflector         |
| Luminous flux          | 1000 lm ± 10 %    |
| Colour Temperature     | 3000 K warm white |
| Luminous efficacy      | 105 lm/W          |
| MacAdam Light source   | 3                 |
| Colour rendering index | 90                |
| Beam angle             | 25°               |

|                              |                                 |
|------------------------------|---------------------------------|
| Luminaire power input        | 9.5 W ± 10 %                    |
| Connection of the luminaires | Electronic ballast non-dimmable |
| Electrical voltage           | 220-240V                        |
| Frequency                    | 50/60Hz                         |


**CE** IP 20

# Curve



**Accessories****00-01000**  
reflector 18°**00-01001**  
reflector 25°**00-01002**  
reflector 32°**00-01003**  
reflector 52°**00-01100**  
Satinice diffuser**00-01101**  
Linear optic