

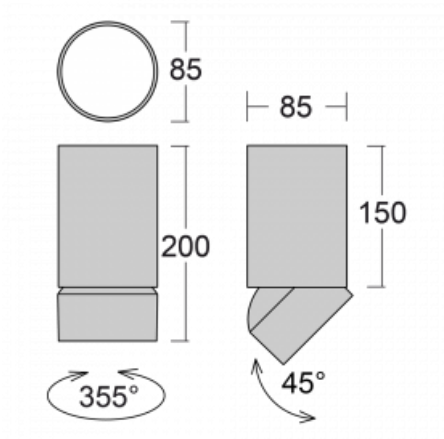

**Luminaire**

# Shift-C

26-200S-10GGE/930, S



|                           |                      |
|---------------------------|----------------------|
| Type of installation      | Surface              |
| Light distribution        | Direct               |
| Luminaire shape           | Circular             |
| Colour of the luminaires  | Silver               |
| Material                  | Aluminium            |
| Lifetime                  | L80/B20 50 000 hours |
| Warranty                  | 5 years              |
| Description of luminaires | Luminaire surface    |
| Dimensions                | ø 85 mm × 200 mm     |
| Light source              | LED MODUL            |

**Technical drawing**


|                        |                   |
|------------------------|-------------------|
| Type of optical system | Reflector         |
| Luminous flux*         | 1720 lm           |
| Colour Temperature     | 3000 K warm white |
| Luminous efficacy      | 99 lm/W           |
| MacAdam Light source   | 3                 |
| Colour rendering index | 90                |
| Beam angle             | 18°               |

## Curve



Luminaire power input\* 17.3 W

Connection of the luminaires ON/OFF

Electrical voltage 220-240V

Frequency 50/60Hz

⊕ CE IP 20

\*±10 %

**Accessories**



**00-01000**  
reflector 18°



**00-01001**  
reflector 25°



**00-01002**  
reflector 32°



**00-01003**  
reflector 52°



**00-01100**  
Satinice diffuser



**00-01101**  
Linear optic