

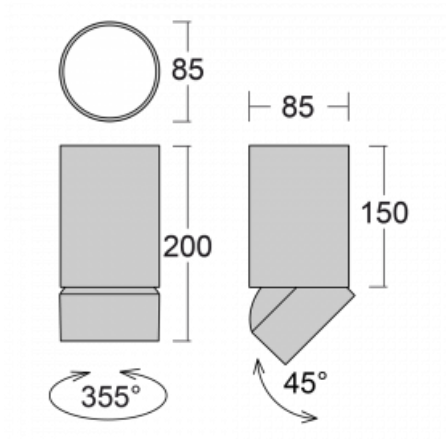

Luminaire

Shift-C

26-200F-10GGD/940, B



Type of installation	Surface
Light distribution	Direct
Luminaire shape	Circular
Colour of the luminaires	Black
Material	Aluminium
Lifetime	L80/B20 50 000 hours
Warranty	60 months
Description of luminaires	Luminaire surface
Dimensions	ø 85 mm × 200 mm
Weight	1.1 kg
Light source	LED MODUL

Technical drawing


Type of optical system	Reflector
Luminous flux	1810 lm ± 10 %
Colour Temperature	4000 K cool white
Luminous efficacy	105 lm/W
MacAdam Light source	3
Colour rendering index	90
Beam angle	32°

Curve



Luminaire power input 17.3 W ± 10 %

Connection of the luminaires DALI dimmable

Electrical voltage 220-240V

Frequency 50/60Hz

⊕ CE IP 20

Accessories**00-01000**
reflector 18°**00-01001**
reflector 25°**00-01002**
reflector 32°**00-01003**
reflector 52°**00-01100**
Satinice diffuser**00-01101**
Linear optic