


Luminaire

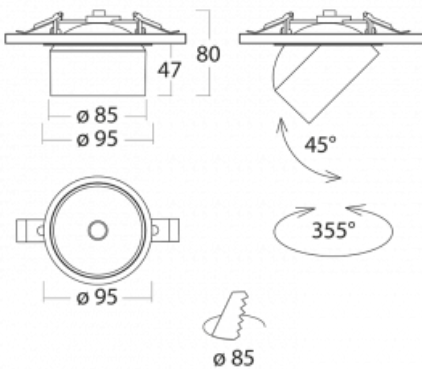
Shift

26-100F-10GGV/840, W +
00-00152E



Designer Kryštof Nosál has created a luminaire with unrivalled variability. In addition, the Shift family of single luminaires allows for any method of installation. You can choose between a semi-recessed, surface and pendant version. The spot LED luminaire consists of 1, 2, 3 or 5 light sources, which can be moved along the axis of the luminaire body, tilted up to an angle of 45° and rotated up to 355°. The luminaire has 4 beam angles of 15°, 25°, 36°, 60°.

Design Kryštof Nosál

Technical drawing


| | |
|---------------------------|-------------------------|
| Type of installation | Recessed |
| Light distribution | Direct |
| Luminaire shape | Circular |
| Colour of the luminaires | White |
| Material | Aluminium |
| Lifetime | L80/B20 50 000 hours |
| Warranty | 60 months |
| Description of luminaires | Luminaire semi-recessed |
| Dimensions | ø 95 mm × 50 mm |
| Light source | LED MODUL |

| | |
|------------------------|--------------------|
| Type of optical system | FLOOD - wide angle |
| Luminous flux | 1850 lm ± 10 % |
| Colour Temperature | 4000 K cool white |
| Luminous efficacy | 103 lm/W |
| MacAdam Light source | 3 |
| Colour rendering index | 90 |
| Beam angle | 32° |

| | |
|------------------------------|---------------------------------|
| Luminaire power input | 18 W ± 10 % |
| Connection of the luminaires | Electronic ballast non-dimmable |
| Electrical voltage | 220-240V |
| Frequency | 50/60Hz |

 **CE** IP 20

Curve



Downloads

Installation instructions



Photos



Accessories

00-01000
reflector 18°



00-01001
reflector 25°



00-01002
reflector 32°



00-01003
reflector 52°



00-01100
Satinice diffuser