



Luminaire

Ineli

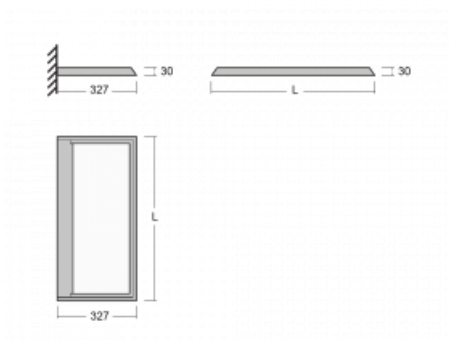
235-371I-15GGE/840, B

The product is only available on request.



Pendant luminaire with a transparent optical system, two luminous fluxes and a height of only 27 mm, which is best used in an office. The Ineli luminaire with direct-indirect distribution of light will catch your eye with its low aluminium profile, forming the frame of the lighting area. Thanks to its superior technical features, it can also make every meeting room, informal café or relaxation zone more pleasant. Thanks to the fact that the power is supplied via suspension wires, there is no need for a power cable. The luminaire can be hung horizontally or at any angle, which gives the space an impression of uniqueness and airiness. In addition, it can be perfectly combined with the free-standing version, i.e. the Sineli luminaire.

Technical drawing



Type of installation	Wall mounted
Light distribution	Direct-indirect
Luminaire shape	Angular
Colour of the luminaires	Black
Material	Aluminium
Lifetime	L80/B20 50 000 hours
Warranty	5 years
Description of luminaires	Luminaire wall mounted
item description	MAX load capacity 3 kg
Dimensions	920 mm × 340 mm × 27 mm
Light source	LED MODUL
Type of optical system	Microprisma
Luminous flux*	6560 lm
Colour Temperature	4000 K cool white
Luminous efficacy	129 lm/W
MacAdam Light source	3
Colour rendering index	80

Luminaire power input*	51 W
Connection of the luminaires	ON/OFF
Electrical voltage	220-240V
Frequency	50/60Hz

  IP 20

*±10 %

Downloads

[Installation instructions](#)[Photos](#)