



Luminaire

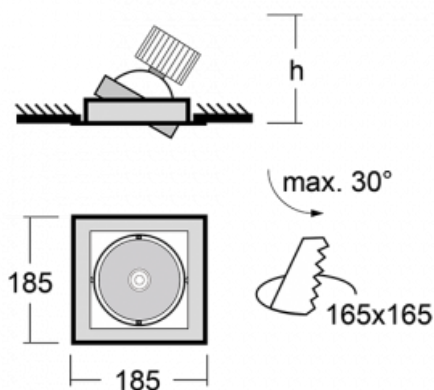
Gatu

21-001S-10GHV/M/830, S +
00-00153M3I



If we combine a simple design with advanced functionality, we get the luminaires of Gatu family. The recessed luminaire with an adjustable reflector can be aimed at the required object. In addition to high-brightness LEDs with colour rendering of $Ra > 80$ or $Ra > 90$, the luminaire also contains a wide range of light sources. The RealWhite technology highlights the white, StrongColour highlights the selected colour, and RealColour with an extremely high colour rendering of $Ra > 97$ emphasizes the object's own colour. The illuminated object thus looks even more appealing, which makes Gatu luminaires suitable for commercial and cultural spaces, car showrooms and shop windows.

Technical drawing



| | |
|------------------------------|--|
| Type of installation | Recessed |
| Light distribution | Direct |
| Luminaire shape | Angular |
| Colour of the luminaires | Silver |
| Material | Sheet metal |
| Lifetime | L80/B10 50 000 hours |
| Warranty | 60 months |
| Description of luminaires | Luminaire recessed |
| Dimensions | 185 mm × 185 mm × 100 mm |
| Light source | LED MODUL |
| Type of optical system | Reflector |
| Luminous flux | 2640 lm ± 10 % |
| Colour Temperature | 3000 K warm white |
| Luminous efficacy | 108 lm/W |
| MacAdam Light source | 3 |
| Colour rendering index | 80 |
| Beam angle | 24° |
| Luminaire power input | 24.5 W ± 10 % |
| Connection of the luminaires | Electronic ballast non-dimmable, multiwatt with 3h emergency |
| Electrical voltage | 220-240V |
| Frequency | 50/60Hz |

  IP 20

Curve



Downloads

Installation instructions



Photos

