



## Luminaire

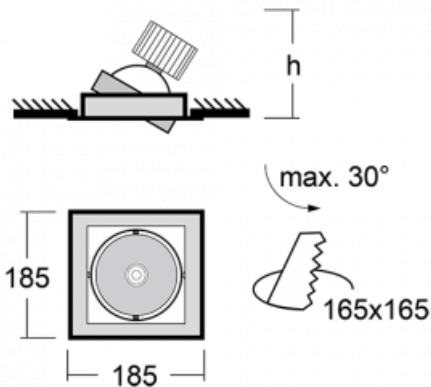
# Gatu

21-001F-10GJV/M/830, S +  
00-00155M3I



If we combine a simple design with advanced functionality, we get the luminaires of Gatu family. The recessed luminaire with an adjustable reflector can be aimed at the required object. In addition to high-brightness LEDs with colour rendering of  $Ra > 80$  or  $Ra > 90$ , the luminaire also contains a wide range of light sources. The RealWhite technology highlights the white, StrongColour highlights the selected colour, and RealColour with an extremely high colour rendering of  $Ra > 97$  emphasizes the object's own colour. The illuminated object thus looks even more appealing, which makes Gatu luminaires suitable for commercial and cultural spaces, car showrooms and shop windows.

## Technical drawing



Type of installation	Recessed
Light distribution	Direct
Luminaire shape	Angular
Colour of the luminaires	Silver
Material	Sheet metal
Lifetime	L80/B10 50 000 hours
Warranty	60 months
Description of luminaires	Luminaire recessed
Dimensions	185 mm × 185 mm × 100 mm
Light source	LED MODUL
Type of optical system	Reflector
Luminous flux	4230 lm ± 10 %
Colour Temperature	3000 K warm white
Luminous efficacy	95 lm/W
MacAdam Light source	3
Colour rendering index	80
Beam angle	41°
Luminaire power input	44.5 W ± 10 %
Connection of the luminaires	Electronic ballast non-dimmable, multiwatt with 3h emergency
Electrical voltage	220-240V
Frequency	50/60Hz

 **CE** IP 20

# Curve



## Downloads

Installation instructions



Photos

