



Luminaire

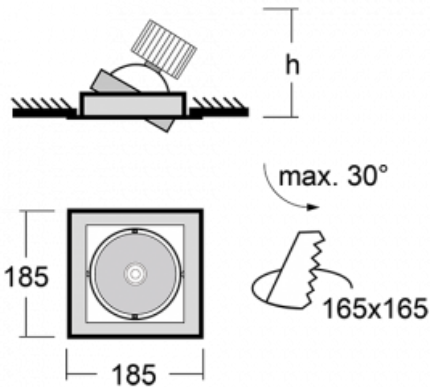
Gatu

21-001F-10GJV/830, B + 00-00152E



If we combine a simple design with advanced functionality, we get the luminaires of Gatu family. The recessed luminaire with an adjustable reflector can be aimed at the required object. In addition to high-brightness LEDs with colour rendering of $Ra > 80$ or $Ra > 90$, the luminaire also contains a wide range of light sources. The RealWhite technology highlights the white, StrongColour highlights the selected colour, and RealColour with an extremely high colour rendering of $Ra > 97$ emphasizes the object's own colour. The illuminated object thus looks even more appealing, which makes Gatu luminaires suitable for commercial and cultural spaces, car showrooms and shop windows.

Technical drawing



| | |
|---------------------------|--------------------------|
| Type of installation | Recessed |
| Light distribution | Direct |
| Luminaire shape | Angular |
| Colour of the luminaires | Black |
| Material | Sheet metal |
| Lifetime | L80/B10 50 000 hours |
| Warranty | 5 years |
| Description of luminaires | Luminaire recessed |
| Dimensions | 185 mm × 185 mm × 100 mm |
| Weight | 0.83 kg |
| Light source | LED MODUL |
| Type of optical system | Reflector |
| Luminous flux* | 2090 lm |
| Colour Temperature | 3000 K warm white |
| Luminous efficacy | 116 lm/W |
| MacAdam Light source | 3 |
| Colour rendering index | 80 |
| Beam angle | 41° |

Curve



Luminaire power input* 18 W

Connection of the luminaires ON/OFF

Electrical voltage 220-240V

Frequency 50/60Hz

☐ CE IP 20

*±10 %

Downloads

Installation instructions



Photos

