

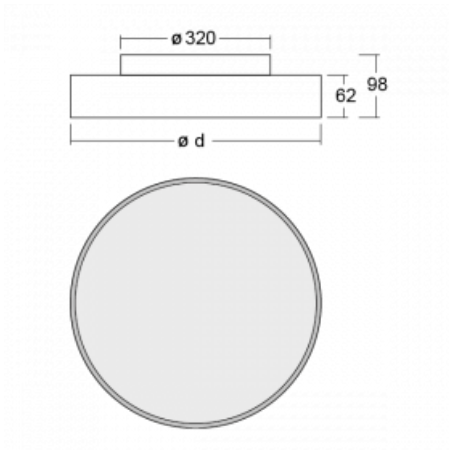

Luminaire

Rundo 62

190-260K-10GGQ/TC, S



Circular luminaires with an aluminium profile come in height 62 mm feature an excellent efficacy of up to 145 lm/W, which can give the space lightness and appeal. The luminaires are pendant or flush-mounted, with direct or direct-indirect distribution of light creating an interesting light halo. A circular luminaire with a PMMA opal diffuser or microprismatic optical system is suitable for both commercial spaces and households. A playful and interesting effect can be created by combining different diameters. Luminaires can be equipped with a motion sensor, daylight sensor or Bluetooth technology, which allows easy control of the luminaire from your smart device.

Technical drawing


| | |
|---|-------------------------------------|
| Type of installation | Surface, Wall mounted |
| Light distribution | Direct |
| Luminaire shape | Circular |
| Colour of the luminaires | Silver |
| Material | Aluminium |
| Lifetime | L80/B20 50 000 hours |
| Warranty | 5 years |
| Description of luminaires | Luminaire surface/wall mounted |
| Dimensions | \varnothing 600 mm \times 62 mm |
| Weight | 5.9 kg |
| Light source | LED MODUL |
| Type of optical system | Opal diffuser |
| Luminous flux* | 4050 lm |
| Colour Temperature | 2700 K - 6500 K Tunable White |
| Luminous efficacy | 98 lm/W |
| MacAdam Light source | 3 |
| Colour rendering index | 90 |
| UGR max. X=4H Y=8H, $\varrho=70,50,20$ | 21.6 |

Curve



Luminaire power input* 41.4 W

Connection of the luminaires DALI DT8

Electrical voltage 220-240V

Frequency 50/60Hz

⊕ CE IP 40

*±10 %

