

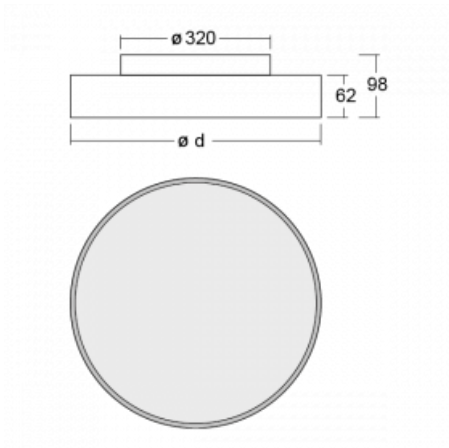

**Luminaire**

# Rundo 62

190-260I-10GGQ/TC, B



Circular luminaires with an aluminium profile come in height 62 mm feature an excellent efficacy of up to 145 lm/W, which can give the space lightness and appeal. The luminaires are pendant or flush-mounted, with direct or direct-indirect distribution of light creating an interesting light halo. A circular luminaire with a PMMA opal diffuser or microprismatic optical system is suitable for both commercial spaces and households. A playful and interesting effect can be created by combining different diameters. Luminaires can be equipped with a motion sensor, daylight sensor or Bluetooth technology, which allows easy control of the luminaire from your smart device.

**Technical drawing**


|                           |                                |
|---------------------------|--------------------------------|
| Type of installation      | Surface, Wall mounted          |
| Light distribution        | Direct                         |
| Luminaire shape           | Circular                       |
| Colour of the luminaires  | Black                          |
| Material                  | Aluminium                      |
| Lifetime                  | L80/B20 50 000 hours           |
| Warranty                  | 5 years                        |
| Description of luminaires | Luminaire surface/wall mounted |
| Dimensions                | ∅ 600 mm × 62 mm               |
| Light source              | LED MODUL                      |

|                                   |                               |
|-----------------------------------|-------------------------------|
| Type of optical system            | Microprisma                   |
| Luminous flux*                    | 3670 lm                       |
| Colour Temperature                | 2700 K - 6500 K Tunable White |
| Luminous efficacy                 | 89 lm/W                       |
| MacAdam Light source              | 3                             |
| Colour rendering index            | 90                            |
| UGR max. X=4H<br>Y=8H, ρ=70,50,20 | 16.4                          |

## Curve



Luminaire power input\* 41.4 W

Connection of the luminaires DALI DT8

Electrical voltage 220-240V

Frequency 50/60Hz

⊕ CE IP 40

\* $\pm 10\%$

