

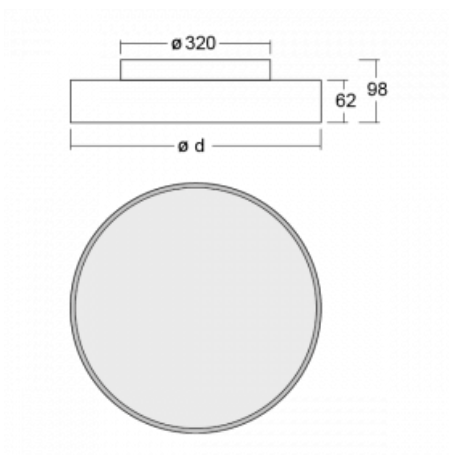

Luminaire

Rundo 62

190-240I-10GGQ/TC, S



Circular luminaires with an aluminium profile come in height 62 mm feature an excellent efficacy of up to 145 lm/W, which can give the space lightness and appeal. The luminaires are pendant or flush-mounted, with direct or direct-indirect distribution of light creating an interesting light halo. A circular luminaire with a PMMA opal diffuser or microprismatic optical system is suitable for both commercial spaces and households. A playful and interesting effect can be created by combining different diameters. Luminaires can be equipped with a motion sensor, daylight sensor or Bluetooth technology, which allows easy control of the luminaire from your smart device.

Technical drawing


Type of installation	Surface, Wall mounted
Light distribution	Direct
Luminaire shape	Circular
Colour of the luminaires	Silver
Material	Aluminium
Lifetime	L80/B20 50 000 hours
Warranty	5 years
Description of luminaires	Luminaire surface/wall mounted
Dimensions	ø 400 mm × 62 mm
Light source	LED MODUL

Type of optical system	Microprisma
Luminous flux*	3000 lm
Colour Temperature	2700 K - 6500 K Tunable White
Luminous efficacy	70 lm/W
MacAdam Light source	3
Colour rendering index	90
UGR max. X=4H Y=8H, ρ=70,50,20	19.6

Curve



Luminaire power input* 42.6 W

Connection of the luminaires DALI DT8

Electrical voltage 220-240V

Frequency 50/60Hz

⊕ CE IP 40

*±10 %

