



Luminaire

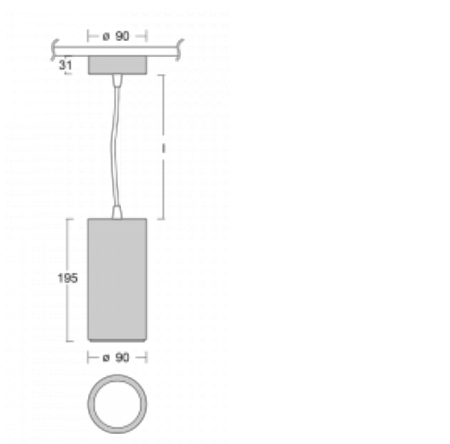
Vali

176-500S-10GGE/930, W



When you combine design with functionality, you get the Vali90 family of lighting. You can point this cylindrical luminaire with 4 angles of 21°, 28°, 40°, 63° at the required object as needed. Vali90 has a luminous efficacy of up to 90 lm / W and has a light source with a colour rendering of $R_a > 90$, to provide the perfect illumination of an object. Vali90 luminaires in a black or white finish will serve you well in commercial, exhibition and demonstration spaces.

Technical drawing



Type of installation	Suspended
Light distribution	Direct
Luminaire shape	Circular
Colour of the luminaires	White
Material	Aluminium
Lifetime	L80/B10 50 000 hours
Warranty	60 months
Description of luminaires	Luminaire suspended
Dimensions	ø 90 mm × 195 mm
Weight	1.2 kg
Light source	LED MODUL
Type of optical system	Reflector
Luminous flux	1960 lm ± 10 %
Colour Temperature	3000 K warm white
Luminous efficacy	96 lm/W
MacAdam Light source	3
Colour rendering index	90
Beam angle	21°
UGR max. X=4H Y=8H, ρ=70,50,20	18.4

Curve



Luminaire power input 20.4 W ± 10 %

Connection of the luminaires Electronic ballast non-dimmable

Electrical voltage 220-240V

Frequency 50/60Hz

⊕ CE IP 20

Downloads

Installation instructions



Photos

