

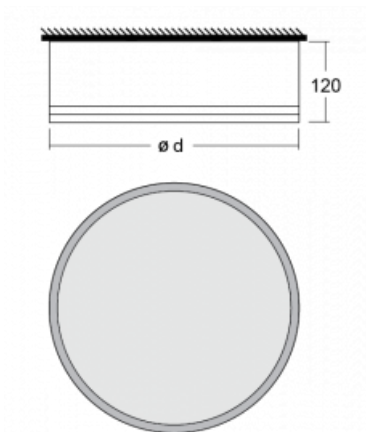

**Luminaire**

# Rundo 120

15-290K-10GED/830, S



Circular luminaires with an aluminium profile with a height of 120 mm and an excellent luminous efficacy of up to 145 lm/W. A Rundo120 has wide range of functions and dimensions with a diameter of up to 1150 mm. These surface or pendant luminaires can be used as basic lighting features in commercial and residential spaces. Thanks to sophisticated technology, the luminaires do not cause glare and the lighting can be adapted to smaller or large commercial spaces. You can choose between a version with an opal diffuser made of PMMA or a microprismatic optical system.

**Technical drawing**


Type of installation	Surface
Light distribution	Direct
Luminaire shape	Circular
Colour of the luminaires	Silver
Material	Aluminium
Lifetime	L80/B10 50 000 hours
Warranty	60 months
Description of luminaires	Luminaire surface

Dimensions	ø 950 mm × 120 mm
------------	-------------------

Type of optical system	Opal diffuser
Luminous flux	7430 lm ± 10 %
Colour Temperature	3000 K warm white
Luminous efficacy	101 lm/W
MacAdam Light source	2
Colour rendering index	80

Luminaire power input	73.6 W ± 10 %
-----------------------	---------------

Connection of the luminaires	DALI dimmable
------------------------------	---------------

Electrical voltage	220-240V
--------------------	----------

Frequency	50/60Hz
-----------	---------

⊥ CE IP 20

# Curve

