

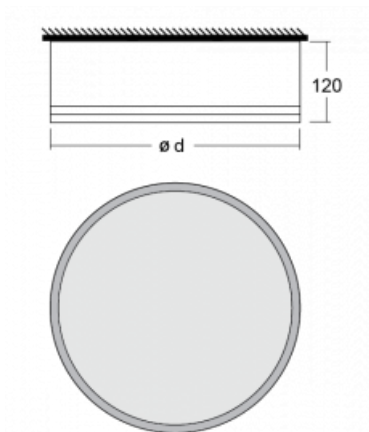

Luminaire

Rundo 120

15-290I-10GEM3/840, B



Circular luminaires with an aluminium profile with a height of 120 mm and an excellent luminous efficacy of up to 145 lm/W. A Rundo120 has wide range of functions and dimensions with a diameter of up to 1150 mm. These surface or pendant luminaires can be used as basic lighting features in commercial and residential spaces. Thanks to sophisticated technology, the luminaires do not cause glare and the lighting can be adapted to smaller or large commercial spaces. You can choose between a version with an opal diffuser made of PMMA or a microprismatic optical system.

Technical drawing


Type of installation	Surface
Light distribution	Direct
Luminaire shape	Circular
Colour of the luminaires	Black
Material	Aluminium
Lifetime	L80/B10 50 000 hours
Warranty	60 months
Description of luminaires	Luminaire surface

Dimensions	ø 950 mm × 120 mm
------------	-------------------

Type of optical system	Microprisma
Luminous flux	7060 lm ± 10 %
Colour Temperature	4000 K cool white
Luminous efficacy	96 lm/W
MacAdam Light source	2
Colour rendering index	80

Luminaire power input	73.6 W ± 10 %
-----------------------	---------------

Connection of the luminaires	Electronic ballast non-dimmable with 3h emergency
------------------------------	---

Electrical voltage	220-240V
--------------------	----------

Frequency	50/60Hz
-----------	---------

⊥ CE IP 20

Curve

