



## Luminaire

# Lina45-S

=145S-A40I-10GGM3/840, S



EPD®

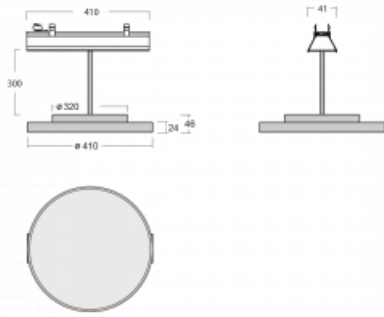
Imagine a linear luminaire that can satisfy all your needs: it meets UGR, has high efficiency and you can build it to your specifications. And it looks great too. The Lina45-S offers opal, microprism and optical grille variants, so it can easily meet both UGR under 19 at 4300 lm luminous flux. It is a great solution for visually demanding spaces, as it even meets UGR under 16 in some variants. In addition, you can complement the modular luminaire with a Vali55 relay module, a Rundo circular luminaire or 2 - 3 CUBE reflectors. The indirect lighting component is provided by a clear plexiglass module or a batwing diffuser, which creates a more even illumination of the ceiling. A welcome feature is also the possibility of a curtain at the joint of the profiles, which are also fitted with caps to prevent even minimal draughts. The individual segments are easily connected using connectors and plugged into 230 V.

|                                   |                        |
|-----------------------------------|------------------------|
| Light distribution                | Direct                 |
| Luminaire shape                   | Circular               |
| Colour of the luminaires          | Silver                 |
| Material                          | Aluminium              |
| Lifetime                          | L80/B20 50 000 hours   |
| Warranty                          | 2 years                |
| Description of luminaires         | Luminaire              |
| Dimensions                        | 561 mm × 47 mm × 69 mm |
| Light source                      | LED MODUL              |
| Type of optical system            | Microprisma            |
| Luminous flux*                    | 2570 lm                |
| Colour Temperature                | 4000 K cool white      |
| Luminous efficacy                 | 141 lm/W               |
| MacAdam Light source              | 3                      |
| Colour rendering index            | 80                     |
| UGR max. X=4H<br>Y=8H, ρ=70,50,20 | 21                     |
| Luminaire power input*            | 18.2 W                 |
| Connection of the luminaires      | ON/OFF + 3h emergency  |
| Electrical voltage                | 220-240V               |
| Frequency                         | 50/60Hz                |

  IP 20

\*±10 %

## Technical drawing



## Downloads

Installation instructions



Photos



**Accessories**


**00-00355, K**  
cable 5x0,75 2000mm



**00-00356, K**  
cable 5x0,75 4000mm



**00-00357, K**  
cable 5x0,75 6000mm



**00-00370, S**  
ceiling cup 80x80x32mm



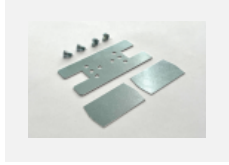
**145-01200, F**  
Accessory for gear-tray  
release for Lina145



**145-50101, S**  
2 x end cap - metal,  
screw



**145-50102, S**  
2 x end cap - metal,  
screwless



**145-50200, F**  
direct connector with  
caps of clearance



**145-50300, N**  
wire suspension  
2000mm - 1 pc + metal  
handle



**145-50301, N**  
wire suspension  
4000mm - 1 pc + metal  
handle



**145-50302, N**  
wire suspension  
6000mm - 1 pc + metal  
handle



**145-50303, N**  
wire suspension for joint  
2000mm - 1 pc + metal  
handle



**145-50304, N**  
wire suspension for joint  
4000mm - 1 pc + metal  
handle



**145-50305, N**  
wire suspension for joint  
6000mm - 1 pc + metal  
handle