



## Luminaire

# Lina45-S

=145S-A00W-10GGD/940, W



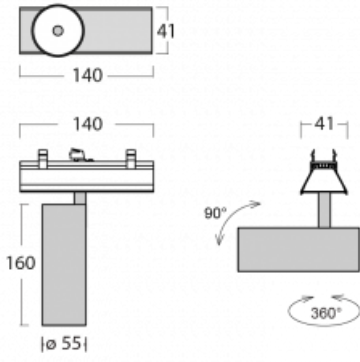
EPD®

Imagine a linear luminaire that can satisfy all your needs: it meets UGR, has high efficiency and you can build it to your specifications. And it looks great too. The Lina45-S offers opal, microprism and optical grille variants, so it can easily meet both UGR under 19 at 4300 lm luminous flux. It is a great solution for visually demanding spaces, as it even meets UGR under 16 in some variants. In addition, you can complement the modular luminaire with a Vali55 relay module, a Rundo circular luminaire or 2 - 3 CUBE reflectors. The indirect lighting component is provided by a clear plexiglass module or a batwing diffuser, which creates a more even illumination of the ceiling. A welcome feature is also the possibility of a curtain at the joint of the profiles, which are also fitted with caps to prevent even minimal draughts. The individual segments are easily connected using connectors and plugged into 230 V.

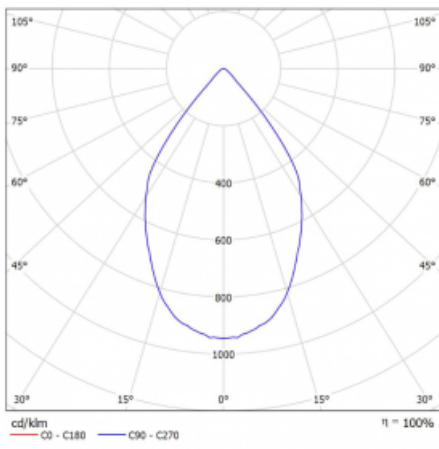
Light distribution	Direct
Luminaire shape	Linear
Colour of the luminaires	White
Lifetime	L80/B20 50 000 hours
Warranty	60 months
Description of luminaires	Luminaire
Dimensions	140 mm × 47 mm × 69 mm
Light source	LED MODUL
Type of optical system	Wide beam angle
Luminous flux	1700 lm ± 10 %
Colour Temperature	4000 K cool white
Luminous efficacy	85 lm/W
MacAdam Light source	3
Colour rendering index	90
Beam angle	68°
UGR max. X=4H Y=8H, ρ=70,50,20	23.1
Luminaire power input	20.1 W ± 10 %
Connection of the luminaires	DALI dimmable
Electrical voltage	220-240V
Frequency	50/60Hz

⊥ CE IP 20

## Technical drawing



## Curve



## Downloads

Installation instructions



Photos



**Accessories**


**00-00354, K**  
cable 5x0,75 1000mm



**00-00355, K**  
cable 5x0,75 2000mm



**00-00356, K**  
cable 5x0,75 4000mm



**00-00357, K**  
cable 5x0,75 6000mm



**00-00370, B**  
ceiling cup 80x80x32mm



**00-00370, S**  
ceiling cup 80x80x32mm



**00-00370, W**  
ceiling cup 80x80x32mm



**145-01200, F**  
Accessory for gear-tray  
release for Lina145



**145-20700, B**  
2 pcs of wall fastening  
Lina45



**145-20700, S**  
2 pcs of wall fastening  
Lina45



**145-20700, W**  
2 pcs of wall fastening  
Lina45



**145-50101, B**  
2 x end cap - metal,  
screw



**145-50101, S**  
2 x end cap - metal,  
screw



**145-50101, W**  
2 x end cap - metal,  
screw



**145-50102, B**  
2 x end cap - metal,  
screwless



**145-50200, F**  
direct connector with  
caps of clearance



**145-50300, N**  
wire suspension  
2000mm - 1 pc + metal  
handle



**145-50301, N**  
wire suspension  
4000mm - 1 pc + metal  
handle



**145-50302, N**  
wire suspension  
6000mm - 1 pc + metal  
handle



**145-50303, N**  
wire suspension for joint  
2000mm - 1 pc + metal  
handle



**145-50304, N**  
wire suspension for joint  
4000mm - 1 pc + metal  
handle



**145-50305, N**  
wire suspension for joint  
6000mm - 1 pc + metal  
handle