



Luminaire

Lina45-S

=145S-A00U-10GGTD/940, S



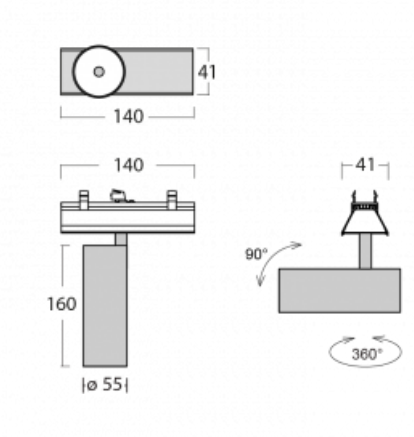
EPD®

Imagine a linear luminaire that can satisfy all your needs: it meets UGR, has high efficiency and you can build it to your specifications. And it looks great too. The Lina45-S offers opal, microprism and optical grille variants, so it can easily meet both UGR under 19 at 4300 lm luminous flux. It is a great solution for visually demanding spaces, as it even meets UGR under 16 in some variants. In addition, you can complement the modular luminaire with a Vali55 relay module, a Rundo circular luminaire or 2 - 3 CUBE reflectors. The indirect lighting component is provided by a clear plexiglass module or a batwing diffuser, which creates a more even illumination of the ceiling. A welcome feature is also the possibility of a curtain at the joint of the profiles, which are also fitted with caps to prevent even minimal draughts. The individual segments are easily connected using connectors and plugged into 230 V.

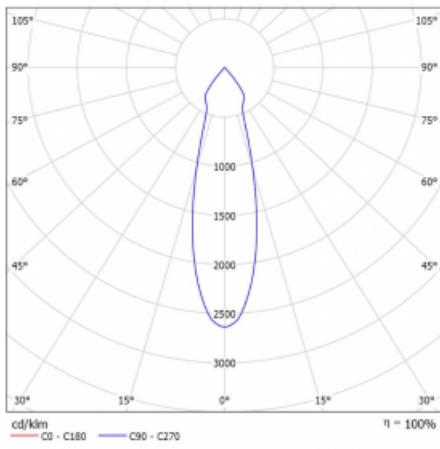
Light distribution	Direct
Luminaire shape	Spot
Colour of the luminaires	Silver
Lifetime	L80/B20 50 000 hours
Warranty	60 months
Description of luminaires	Luminaire
Dimensions	140 mm × 47 mm × 69 mm
Light source	LED MODUL
Type of optical system	MEDIUM - middle angle
Luminous flux	1710 lm ± 10 %
Colour Temperature	4000 K cool white
Luminous efficacy	85 lm/W
MacAdam Light source	3
Colour rendering index	90
Beam angle	27°
UGR max. X=4H Y=8H, ρ=70,50,20	23.1
Luminaire power input	20.1 W ± 10 %
Connection of the luminaires	DALI or by switch (touch dimm) dimmable
Electrical voltage	220-240V
Frequency	50/60Hz

⊥ CE IP 20

Technical drawing



Curve



Downloads

Installation instructions



Photos



Accessories

00-00354, K
 cable 5x0,75 1000mm

00-00355, K
 cable 5x0,75 2000mm

00-00356, K
 cable 5x0,75 4000mm

00-00357, K
 cable 5x0,75 6000mm

00-00370, B
 ceiling cup 80x80x32mm

00-00370, S
 ceiling cup 80x80x32mm

00-00370, W
 ceiling cup 80x80x32mm

145-01200, F
 Accessory for gear-tray
 release for Lina145

145-20700, B
 2 pcs of wall fastening
 Lina45

145-20700, S
 2 pcs of wall fastening
 Lina45

145-20700, W
 2 pcs of wall fastening
 Lina45

145-50101, B
 2 x end cap - metal,
 screw

145-50101, S
 2 x end cap - metal,
 screw

145-50101, W
 2 x end cap - metal,
 screw

145-50102, B
 2 x end cap - metal,
 screwless

145-50200, F
 direct connector with
 caps of clearance

145-50300, N
 wire suspension
 2000mm - 1 pc + metal
 handle

145-50301, N
 wire suspension
 4000mm - 1 pc + metal
 handle

145-50302, N
 wire suspension
 6000mm - 1 pc + metal
 handle

145-50303, N
 wire suspension for joint
 2000mm - 1 pc + metal
 handle

145-50304, N
 wire suspension for joint
 4000mm - 1 pc + metal
 handle

145-50305, N
 wire suspension for joint
 6000mm - 1 pc + metal
 handle