



## Luminaire

# Lina45

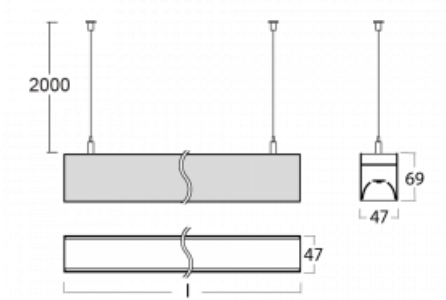
145-5C0K-25GEE/840, S



EPD®

Imagine a linear luminaire that can satisfy all your needs: it meets UGR, has high efficiency and you can build it to your specifications. And it looks great too. The Lina45 offers opal, microprism and optical louvre variants, so it can easily meet both UGR under 19 at 4300 lm luminous flux. It is a great solution for visually demanding spaces, as it even meets UGR under 16 in some variants. The indirect lighting component is provided by a clear plexi option or a wide-lighting diffuser (batwing distribution), which creates more even ceiling illumination.

## Technical drawing



Type of installation	Suspended
Light distribution	Direct
Luminaire shape	Linear
Colour of the luminaires	Silver
Material	Aluminium
Lifetime	L80/B20 50 000 hours
Warranty	5 years
Description of luminaires	Luminaire suspended
Dimensions	1408 mm × 47 mm × 69 mm
Light source	LED MODUL
Type of optical system	Opal diffuser
Luminous flux*	1760 lm
Colour Temperature	4000 K cool white
Luminous efficacy	161 lm/W
MacAdam Light source	3
Colour rendering index	80
UGR max. X=4H Y=8H, ρ=70,50,20	24.1

## Curve



Luminaire power input\* 10.9 W

Connection of the luminaires ON/OFF

Electrical voltage 220-240V

Frequency 50/60Hz

⊕ CE IP 20

\*±10 %

## Downloads

[Installation instructions](#)[Photos](#)

**Accessories**

**00-00350, K**  
 cable 3x0,75 1000mm

**00-00352, K**  
 cable 3x0,75 2000mm

**00-00354, K**  
 cable 5x0,75 1000mm

**00-00355, K**  
 cable 5x0,75 2000mm

**00-00356, K**  
 cable 5x0,75 4000mm

**00-00357, K**  
 cable 5x0,75 6000mm

**00-00358, K**  
 cable 3x0,75 4000mm

**00-00360, K**  
 cable 3x0,75 6000mm

**00-00370, S**  
 ceiling cup 80x80x32mm

**145-01200, F**  
 Accessory for gear-tray  
 release for Lina145

**145-20700, S**  
 2 pcs of wall fastening  
 Lina45

**145-50101, S**  
 2 x end cap - metal,  
 screw

**145-50102, S**  
 2 x end cap - metal,  
 screwless

**145-50300, N**  
 wire suspension  
 2000mm - 1 pc + metal  
 handle

**145-50301, N**  
 wire suspension  
 4000mm - 1 pc + metal  
 handle

**145-50302, N**  
 wire suspension  
 6000mm - 1 pc + metal  
 handle