



Luminaire

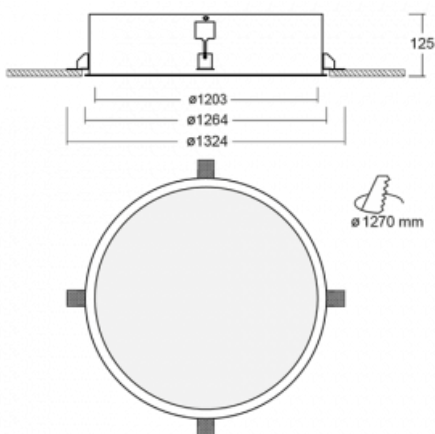
Puri

140-082K-22GEM/830



We were thinking about how to achieve design purity, so we created a family of Puri recessed circular luminaires. Choose between the framed and frameless versions. You can mount it directly into the ceiling, without any cables or suspension fixtures. The framed version has a great advantage as it is very easy to disassemble. Using various diameters of the ceiling light, you can create combinations that will best suit the needs of your commercial spaces, offices, hotels or corridors. Puri blends in with the interior and can be easily combined with other families of circular luminaires.

Technical drawing



Type of installation	Recessed
Light distribution	Direct
Luminaire shape	Circular
Material	Aluminium
Lifetime	L80/B20 50 000 hours
Warranty	60 months
Description of luminaires	Luminaire recessed

Dimensions	ø 1203 mm × 125 mm
Light source	LED MODUL

Type of optical system	Opal diffuser
------------------------	---------------

Luminous flux	23130 lm ± 10 %
---------------	-----------------

Colour Temperature	3000 K warm white
--------------------	-------------------

Luminous efficacy	94 lm/W
-------------------	---------

MacAdam Light source	3
----------------------	---

Colour rendering index	80
------------------------	----

UGR max. X=4H Y=8H, ρ=70,50,20	20
-----------------------------------	----

Luminaire power input	245 W ± 10 %
-----------------------	--------------

Connection of the luminaires	Electronic ballast non-dimmable with 1h emergency
------------------------------	---------------------------------------------------

Electrical voltage	220-240V
--------------------	----------

Frequency	50/60Hz
-----------	---------

 **CE** IP 20

Downloads

Installation instructions



Photos

