



Luminaire

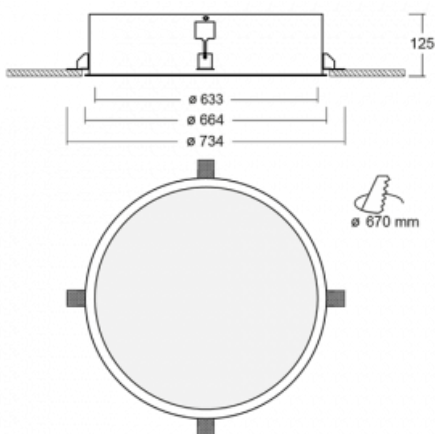
Puri

140-062K-10GNM/840



We were thinking about how to achieve design purity, so we created a family of Puri recessed circular luminaires. Choose between the framed and frameless versions. You can mount it directly into the ceiling, without any cables or suspension fixtures. The framed version has a great advantage as it is very easy to disassemble. Using various diameters of the ceiling light, you can create combinations that will best suit the needs of your commercial spaces, offices, hotels or corridors. Puri blends in with the interior and can be easily combined with other families of circular luminaires.

Technical drawing



Type of installation	Recessed
Light distribution	Direct
Luminaire shape	Circular
Material	Aluminium
Lifetime	L80/B20 50 000 hours
Warranty	60 months
Description of luminaires	Luminaire recessed
Dimensions	$\varnothing 633$ mm \times 125 mm
Weight	9 kg
Light source	LED MODUL
Type of optical system	Opal diffuser
Luminous flux	7260 lm \pm 10 %
Colour Temperature	4000 K cool white
Luminous efficacy	106 lm/W
MacAdam Light source	3
Colour rendering index	80
UGR max. X=4H Y=8H, $\rho=70,50,20$	20.9
Luminaire power input	68.5 W \pm 10 %
Connection of the luminaires	Electronic ballast non-dimmable with 1h emergency
Electrical voltage	220-240V
Frequency	50/60Hz

 **CE** IP 20

Downloads

Installation instructions



Photos

