



## Luminaire

# Sant-T

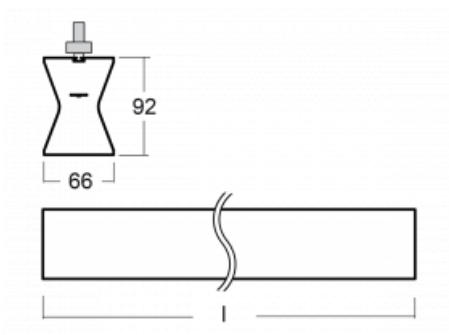
132-600K-20GGE/830, S



The Dutch designer Rob van Beek imbued this LED linear luminaire with an opal diffuser with a universal visage. In the Czech Republic, Sant-T was specially made for LED sources and Human Centric Lighting technology. Sant-T is especially recommended as a complementary lighting for commercial spaces.

Design Rob van Beek

## Technical drawing



Type of installation	3 circuit track
Light distribution	Direct-indirect
Luminaire shape	Linear
Colour of the luminaires	Silver
Material	Aluminium
Lifetime	L80/B20 50 000 hours
Warranty	60 months
Description of luminaires	Luminaire 3 circuit track
Dimensions	1130 mm × 66 mm × 92 mm
Weight	3.1 kg
Light source	LED MODUL
Type of optical system	Opal diffuser
Luminous flux	3400 lm ± 10 %
Colour Temperature	3000 K warm white
Luminous efficacy	97 lm/W
MacAdam Light source	3
Colour rendering index	80
UGR max. X=4H Y=8H, $\rho=70,50,20$	23.5

## Curve



Luminaire power input 34.9 W ± 10 %

Connection of the luminaires Electronic ballast non-dimmable

Electrical voltage 220-240V

Frequency 50/60Hz

⊕ CE  IP 20

## Downloads

Installation instructions



Photos



**Accessories**

**00-00300, N**  
 wire suspension  
 2000mm

**00-00301, N**  
 wire suspension  
 4000mm

**00-00302, N**  
 wire suspension  
 6000mm

**00-00363, K**  
 cable 5x1,5 2000mm

**00-00364, K**  
 cable 5x1,5 4000mm

**00-00365, K**  
 cable 5x1,5 6000mm

**00-00370, B**  
 ceiling cup 80x80x32mm

**00-00370, S**  
 ceiling cup 80x80x32mm

**00-00370, W**  
 ceiling cup 80x80x32mm

**SKB10-1, grey**  
 Track clamp, grey

**SKB10-2, black**  
 Track clamp, black

**SKB10-3, white**  
 Track clamp, white

**SKB12-1, grey**  
 Track clamp, grey

**SKB12-2, black**  
 Track clamp, black

**SKB12-3, white**  
 Track clamp, white

**XTAK11-1, grey**  
 Hook, grey

**XTAK142-1, grey**  
 Hook Base, grey

**XTAK142-2, black**  
 Hook Base, black

**XTAK142-3, white**  
 Hook Base 2mm wire,  
 white

**XTS11-1, grey**  
 End feed, grey

**XTS11-2, black**  
 End feed, black

**XTS11-3, white**  
 End feed, white

**XTS12-1, grey**  
 End feed, grey

**XTS12-2, black**  
 End feed, black

**XTS12-3, white**  
 End feed, white

**XTS14-1, grey**  
 Middle feed, grey

**XTS14-2, black**  
 Middle feed, black

**XTS14-3, white**  
 Middle feed, white

**XTS21-1, grey**  
 Straight connector, grey

**XTS21-2, black**  
 Straight connector,  
 black

**XTS21-3, white**  
 Straight connector,  
 white

**XTS24-1, grey**  
 Adjustable corner  
 connector, grey

**XTS24-2, black**  
 Adjustable corner  
 connector, black

**XTS24-3, white**  
 Adjustable corner  
 connector, white

**XTS34-1, grey**  
 L-feed, grey

**XTS34-2, black**  
 L-feed, black

**XTS34-3, white**  
 L-feed, white

**XTS35-1, grey**  
 L-feed, grey

**XTS35-2, black**  
 L-feed, black

**XTS35-3, white**  
 L-feed, white

**XTS36-1, grey**  
 T-feed, grey

**XTS36-2, black**  
 T-feed, black



**XTS36-3, white**  
T-feed, white



**XTS37-1, grey**  
T-feed, grey



**XTS37-2, black**  
T-feed, black



**XTS37-3, white**  
T-feed, white



**XTS38-1, grey**  
X-feed, grey



**XTS38-2, black**  
X-feed, black



**XTS38-3, white**  
X-feed, bílá



**XTS39-1, grey**  
T-feed, grey



**XTS39-2, black**  
T-feed, black



**XTS39-3, white**  
T-feed, white



**XTS40-1, grey**  
T-feed, grey



**XTS40-2, black**  
T-feed, black



**XTS40-3, white**  
T-feed, white



**XTS41-1, grey**  
End Cap, grey



**XTS41-2, black**  
End Cap, black



**XTS41-3, white**  
End Cap, white



**XTS4100-1, grey**  
linear track 1m, grey



**XTS4100-2, black**  
linear track 1m, black



**XTS4100-3, white**  
linear track 1m, white



**XTS4200-1, grey**  
linear track 2m, grey



**XTS4200-2, black**  
linear track 2m, black



**XTS4200-3, white**  
linear track 2m, white



**XTS4300-1, grey**  
linear track 3m, grey



**XTS4300-2, black**  
linear track 3m, black



**XTS4300-3, white**  
linear track 3m, white



**XTS4400-1, grey**  
linear track 4m, grey



**XTS4400-2, black**  
linear track 4m, black



**XTS4400-3, white**  
linear track 4m, white



**XTSF4100-1, grey**  
recessed linear track 1m,  
grey



**XTSF4100-2, black**  
recessed linear track 1m,  
black



**XTSF4100-3, white**  
recessed linear track 1m,  
white



**XTSF4200-1, grey**  
recessed linear track 2m,  
grey



**XTSF4200-2, black**  
recessed linear track 2m,  
black



**XTSF4200-3, white**  
recessed linear track 2m,  
white



**XTSF4300-1, grey**  
recessed linear track 3m,  
grey



**XTSF4300-2, black**  
recessed linear track 3m,  
black



**XTSF4300-3, white**  
recessed linear track 3m,  
white



**XTSF4400-1, grey**  
recessed linear track 4m,  
grey



**XTSF4400-2, black**  
recessed linear track 4m,  
black



**XTSF4400-3, white**  
recessed linear track 4m,  
white



**XTSV12-1, grey**  
Bending tool for track  
power wires