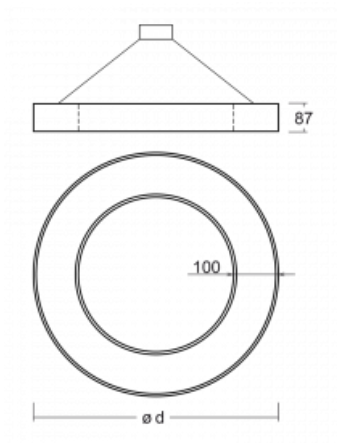



Luminaire

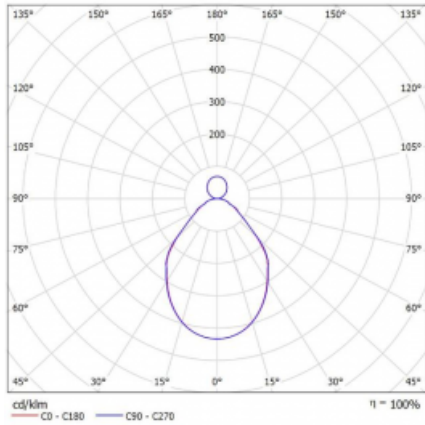
Rotao100

127-5F1I-10GGE/830, W


Technical drawing


Type of installation	Suspended
Light distribution	Direct-indirect
Luminaire shape	Circular
Colour of the luminaires	White
Material	Aluminium
Lifetime	L80/B20 50 000 hours
Warranty	5 years
Description of luminaires	Luminaire suspended
Dimensions	ø 3000 mm × 87 mm
Light source	LED MODUL
Type of optical system	Microprisma
Luminous flux*	19840 lm
Colour Temperature	3000 K warm white
Luminous efficacy	87 lm/W
MacAdam Light source	3
Colour rendering index	80
UGR max. X=4H Y=8H, ρ=70,50,20	17

Curve



Luminaire power input* 228.7 W

Connection of the luminaires ON/OFF

Electrical voltage 220-240V

Frequency 50/60Hz

⊕ CE IP 20

*±10 %

Downloads

Installation instructions



Photos

