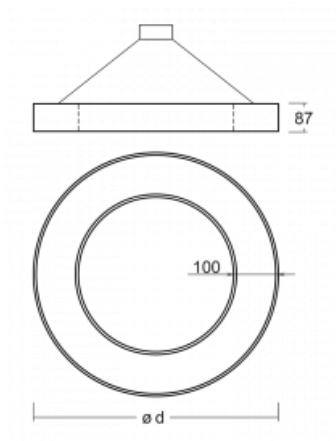



Luminaire

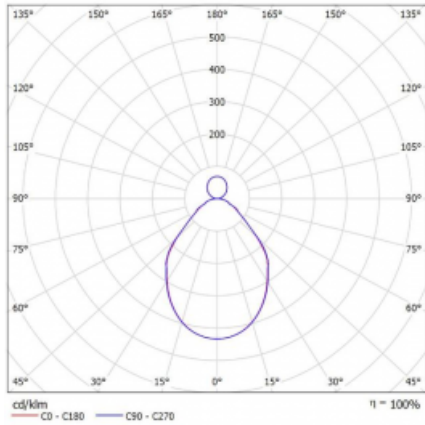
Rotao100

127-5F1I-10GEE/840, W


Technical drawing


Type of installation	Suspended
Light distribution	Direct-indirect
Luminaire shape	Circular
Colour of the luminaires	White
Material	Aluminium
Lifetime	L80/B20 50 000 hours
Warranty	60 months
Description of luminaires	Luminaire suspended
Dimensions	ø 3000 mm × 87 mm
Light source	LED MODUL
Type of optical system	Microprisma
Luminous flux	15320 lm ± 10 %
Colour Temperature	4000 K cool white
Luminous efficacy	94 lm/W
MacAdam Light source	3
Colour rendering index	80
UGR max. X=4H Y=8H, ρ=70,50,20	16.1

Curve



Luminaire power input 163 W ± 10 %

Connection of the luminaires Electronic ballast non-dimmable

Electrical voltage 220-240V

Frequency 50/60Hz

⊕ CE IP 20

Downloads

Installation instructions



Photos

