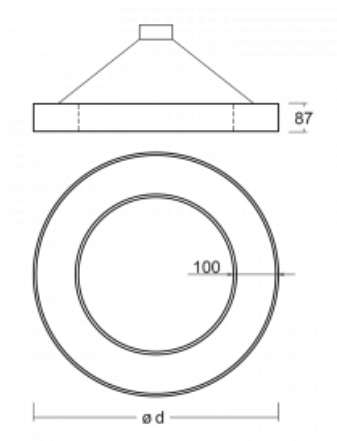



**Luminaire**

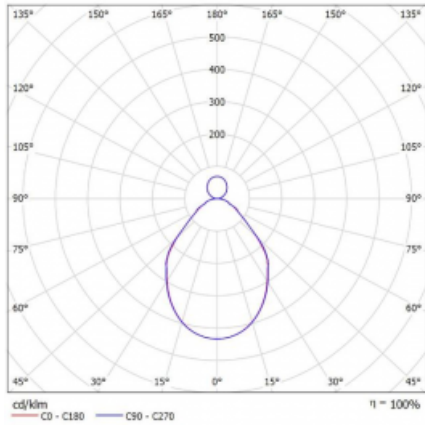
# Rotao100

127-5E11-10GGE/840, W


**Technical drawing**


Type of installation	Suspended
Light distribution	Direct-indirect
Luminaire shape	Circular
Colour of the luminaires	White
Material	Aluminium
Lifetime	L80/B20 50 000 hours
Warranty	60 months
Description of luminaires	Luminaire suspended
Dimensions	ø 2500 mm × 87 mm
Light source	LED MODUL
Type of optical system	Microprisma
Luminous flux	16330 lm ± 10 %
Colour Temperature	4000 K cool white
Luminous efficacy	91 lm/W
MacAdam Light source	3
Colour rendering index	80
UGR max. X=4H Y=8H, ρ=70,50,20	17.4

## Curve



Luminaire power input 179.7 W ± 10 %

Connection of the luminaires Electronic ballast non-dimmable

Electrical voltage 220-240V

Frequency 50/60Hz

⊕ CE IP 20

## Downloads

Installation instructions



Photos

