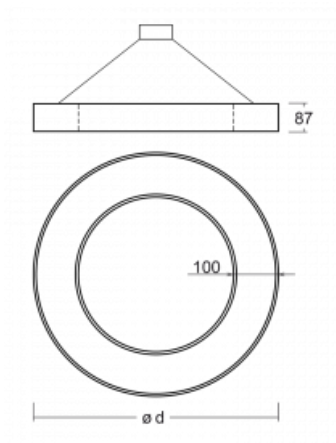



**Luminaire**

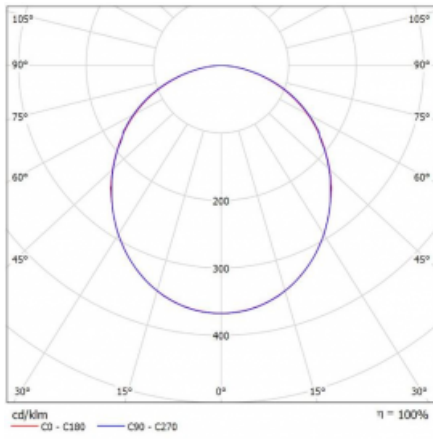
# Rotao100

127-5E0K-10GGD/830, W


**Technical drawing**


|                                   |                      |
|-----------------------------------|----------------------|
| Type of installation              | Suspended            |
| Light distribution                | Direct               |
| Luminaire shape                   | Circular             |
| Colour of the luminaires          | White                |
| Material                          | Aluminium            |
| Lifetime                          | L80/B20 50 000 hours |
| Warranty                          | 60 months            |
| Description of luminaires         | Luminaire suspended  |
| Dimensions                        | ø 2500 mm × 87 mm    |
| Light source                      | LED MODUL            |
| Type of optical system            | Opal diffuser        |
| Luminous flux                     | 15540 lm ± 10 %      |
| Colour Temperature                | 3000 K warm white    |
| Luminous efficacy                 | 106 lm/W             |
| MacAdam Light source              | 3                    |
| Colour rendering index            | 80                   |
| UGR max. X=4H<br>Y=8H, ρ=70,50,20 | 23.7                 |

## Curve



Luminaire power input 147 W ± 10 %

Connection of the luminaires DALI dimmable

Electrical voltage 220-240V

Frequency 50/60Hz

⊕ CE IP 20

## Downloads

Installation instructions



Photos

