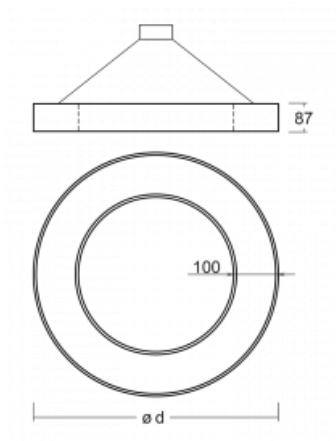



Luminaire

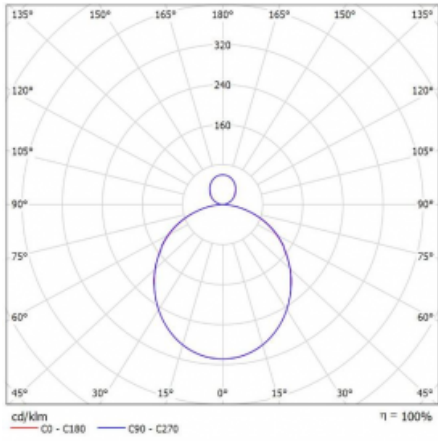
Rotao100

127-5D1K-10GEE/840, B


Technical drawing


Type of installation	Suspended
Light distribution	Direct-indirect
Luminaire shape	Circular
Colour of the luminaires	Black
Material	Aluminium
Lifetime	L80/B20 50 000 hours
Warranty	5 years
Description of luminaires	Luminaire suspended
Dimensions	ø 2000 mm × 87 mm
Weight	26 kg
Light source	LED MODUL
Type of optical system	Opal diffuser
Luminous flux*	12330 lm
Colour Temperature	4000 K cool white
Luminous efficacy	114 lm/W
MacAdam Light source	3
Colour rendering index	80
UGR max. X=4H Y=8H, $\rho=70,50,20$	21

Curve



Luminaire power input* 107.7 W

Connection of the luminaires ON/OFF

Electrical voltage 220-240V

Frequency 50/60Hz

⊕ CE IP 20

*±10 %

Downloads

Installation instructions



Photos

