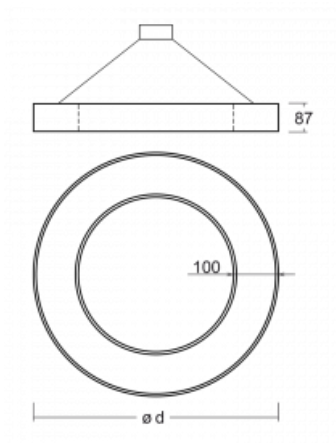



**Luminaire**

# Rotao100

127-5D0K-10GEE/830, S


**Technical drawing**


Type of installation	Suspended
Light distribution	Direct
Luminaire shape	Circular
Colour of the luminaires	Silver
Material	Aluminium
Lifetime	L80/B20 50 000 hours
Warranty	60 months
Description of luminaires	Luminaire suspended
Dimensions	ø 2000 mm × 87 mm
Light source	LED MODUL
Type of optical system	Opal diffuser
Luminous flux	9190 lm ± 10 %
Colour Temperature	3000 K warm white
Luminous efficacy	109 lm/W
MacAdam Light source	3
Colour rendering index	80
UGR max. X=4H Y=8H, ρ=70,50,20	22.7

## Curve



Luminaire power input 84.4 W ± 10 %

Connection of the luminaires Electronic ballast non-dimmable

Electrical voltage 220-240V

Frequency 50/60Hz

⊕ CE IP 20

## Downloads

Installation instructions



Photos

