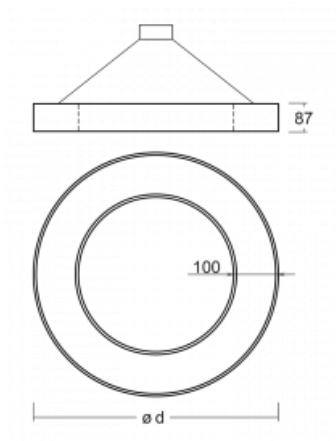



Luminaire

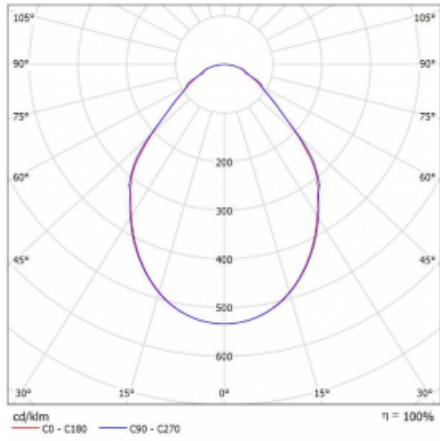
Rotao100

127-5C0I-10GGD/830, S


Technical drawing


| | |
|-----------------------------------|----------------------|
| Type of installation | Suspended |
| Light distribution | Direct |
| Luminaire shape | Circular |
| Colour of the luminaires | Silver |
| Material | Aluminium |
| Lifetime | L80/B20 50 000 hours |
| Warranty | 60 months |
| Description of luminaires | Luminaire suspended |
| Dimensions | ø 1500 mm × 87 mm |
| Light source | LED MODUL |
| Type of optical system | Microprisma |
| Luminous flux | 7300 lm ± 10 % |
| Colour Temperature | 3000 K warm white |
| Luminous efficacy | 85 lm/W |
| MacAdam Light source | 3 |
| Colour rendering index | 80 |
| UGR max. X=4H Y=8H, ρ=70,50,20 | 18.6 |

Curve



Luminaire power input 85.8 W ± 10 %

Connection of the luminaires DALI dimmable

Electrical voltage 220-240V

Frequency 50/60Hz

⊕ CE IP 20

Downloads

Installation instructions



Photos

