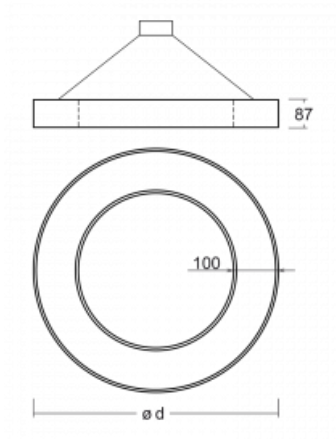



**Luminaire**

# Rotao100

127-5C0I-10GED/830, W


**Technical drawing**


|                                   |                      |
|-----------------------------------|----------------------|
| Type of installation              | Suspended            |
| Light distribution                | Direct               |
| Luminaire shape                   | Circular             |
| Colour of the luminaires          | White                |
| Material                          | Aluminium            |
| Lifetime                          | L80/B20 50 000 hours |
| Warranty                          | 5 years              |
| Description of luminaires         | Luminaire suspended  |
| Dimensions                        | ø 1500 mm × 87 mm    |
| Light source                      | LED MODUL            |
| Type of optical system            | Microprisma          |
| Luminous flux*                    | 5360 lm              |
| Colour Temperature                | 3000 K warm white    |
| Luminous efficacy                 | 88 lm/W              |
| MacAdam Light source              | 3                    |
| Colour rendering index            | 80                   |
| UGR max. X=4H<br>Y=8H, ρ=70,50,20 | 17.5                 |

## Curve



Luminaire power input\* 61.1 W

Connection of the luminaires DALI

Electrical voltage 220-240V

Frequency 50/60Hz

⊕ CE IP 20

\*±10 %

## Downloads

Installation instructions



Photos

