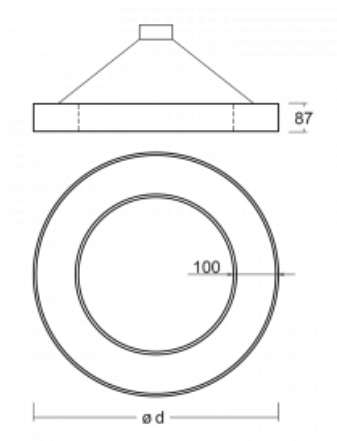



Luminaire

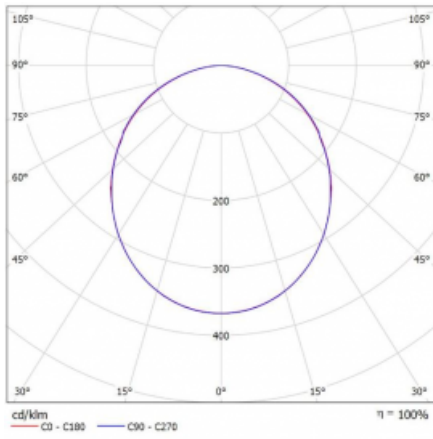
Rotao100

127-580K-10GED/830, B


Technical drawing


Type of installation	Suspended
Light distribution	Direct
Luminaire shape	Circular
Colour of the luminaires	Black
Material	Aluminium
Lifetime	L80/B20 50 000 hours
Warranty	60 months
Description of luminaires	Luminaire suspended
Dimensions	ø 850 mm × 87 mm
Weight	8.7 kg
Light source	LED MODUL
Type of optical system	Opal diffuser
Luminous flux	3800 lm ± 10 %
Colour Temperature	3000 K warm white
Luminous efficacy	109 lm/W
MacAdam Light source	3
Colour rendering index	80
UGR max. X=4H Y=8H, $\rho=70,50,20$	22.6

Curve



Luminaire power input 34.9 W ± 10 %

Connection of the luminaires DALI dimmable

Electrical voltage 220-240V

Frequency 50/60Hz

⊕ CE IP 20

Downloads

Installation instructions



Photos

