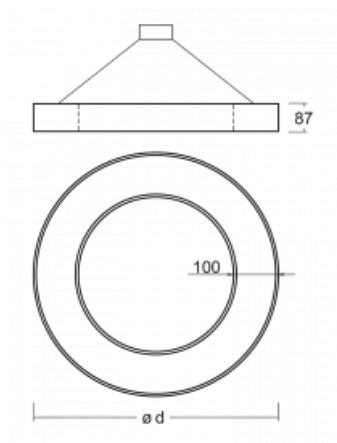



Luminaire

Rotao100

127-580I-10GGE/840, S


Technical drawing


Type of installation	Suspended
Light distribution	Direct
Luminaire shape	Circular
Colour of the luminaires	Silver
Material	Aluminium
Lifetime	L80/B20 50 000 hours
Warranty	60 months
Description of luminaires	Luminaire suspended
Dimensions	ø 850 mm × 87 mm
Weight	9 kg
Light source	LED MODUL
Type of optical system	Microprisma
Luminous flux	4380 lm ± 10 %
Colour Temperature	4000 K cool white
Luminous efficacy	89 lm/W
MacAdam Light source	3
Colour rendering index	80
UGR max. X=4H Y=8H, $\rho=70,50,20$	18.9

Curve



Luminaire power input 49 W ± 10 %

Connection of the luminaires Electronic ballast non-dimmable

Electrical voltage 220-240V

Frequency 50/60Hz

⊕ CE IP 20

Downloads

Installation instructions



Photos

