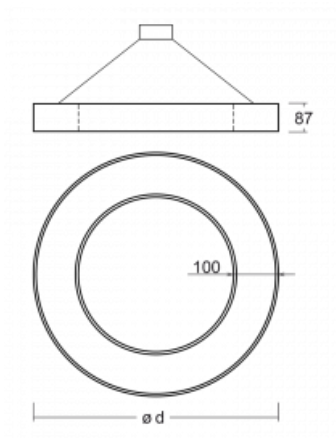



**Luminaire**

# Rotao100

127-561K-10GED/830, S


**Technical drawing**


Type of installation	Suspended
Light distribution	Direct-indirect
Luminaire shape	Circular
Colour of the luminaires	Silver
Material	Aluminium
Lifetime	L80/B20 50 000 hours
Warranty	5 years
Description of luminaires	Luminaire suspended
Dimensions	ø 600 mm × 87 mm
Weight	6.2 kg
Light source	LED MODUL
Type of optical system	Opal diffuser
Luminous flux*	3010 lm
Colour Temperature	3000 K warm white
Luminous efficacy	109 lm/W
MacAdam Light source	3
Colour rendering index	80
UGR max. X=4H Y=8H, $\rho=70,50,20$	21

Luminaire power input\* 27.7 W

---

Connection of the luminaires DALI

---

Electrical voltage 220-240V

---

Frequency 50/60Hz

---

  IP 20

\*±10 %

## Downloads

Installation instructions



Photos

