



Luminaire

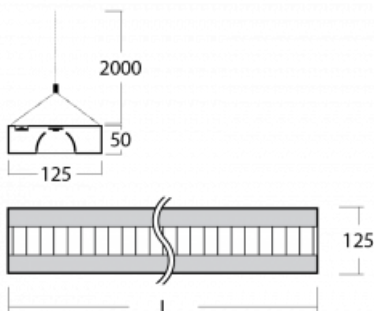
Zuli

121-531M-40GGE/840, B



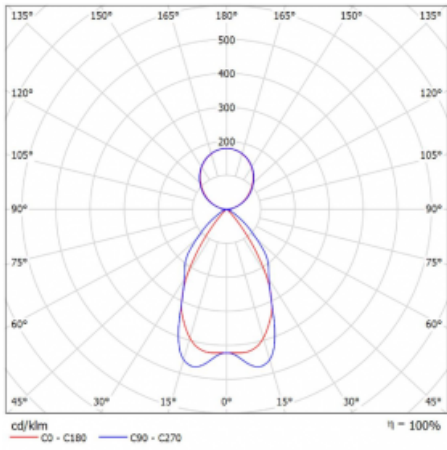
Do you remember the buzzing and flickering lights of your classroom? Fortunately these are long gone. Zuli pendant and surface-mounted LED luminaires ensure comfortable lighting in the classroom, offices and hospitals without these annoyances. These luminaires have direct or direct-indirect emission, with a choice of four lengths and microprism optics, grid and opal diffuser.

Technical drawing



| | |
|--|--------------------------|
| Type of installation | Suspended |
| Light distribution | Direct-indirect |
| Luminaire shape | Angular |
| Colour of the luminaires | Black |
| Material | Aluminium |
| Lifetime | L80/B20 50 000 hours |
| Warranty | 5 years |
| Description of luminaires | Luminaire suspended |
| Dimensions | 2276 mm × 125 mm × 50 mm |
| Light source | LED MODUL |
| Type of optical system | Matt parabolic louvre |
| Luminous flux* | 13740 lm |
| Colour Temperature | 4000 K cool white |
| Luminous efficacy | 125 lm/W |
| MacAdam Light source | 2 |
| Colour rendering index | 80 |
| UGR max. X=4H Y=8H, $\rho=70,50,20$ | 13.5 |

Curve



Luminaire power input* 110 W

Connection of the luminaires ON/OFF

Electrical voltage 220-240V

Frequency 50/60Hz

⊕ CE IP 20

*±10 %

Downloads

Installation instructions



Photos

