



## Luminaire

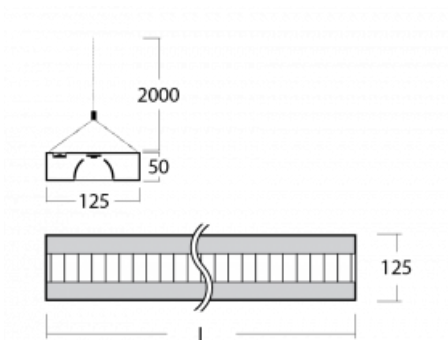
# Zuli

121-530M-25GGD/840, W



Do you remember the buzzing and flickering lights of your classroom? Fortunately these are long gone. Zuli pendant and surface-mounted LED luminaires ensure comfortable lighting in the classroom, offices and hospitals without these annoyances. These luminaires have direct or direct-indirect emission, with a choice of four lengths and microprism optics, grid and opal diffuser.

## Technical drawing



|  |                          |
|--|--------------------------|
| Type of installation                   | Suspended                |
| Light distribution                     | Direct                   |
| Luminaire shape                        | Angular                  |
| Colour of the luminaires               | White                    |
| Material                               | Aluminium                |
| Lifetime                               | L80/B20 50 000 hours     |
| Warranty                               | 5 years                  |
| Description of luminaires              | Luminaire suspended      |
| Dimensions                             | 1425 mm × 125 mm × 50 mm |
| Weight                                 | 3.8 kg                   |
| Light source                           | LED MODUL                |
| Type of optical system                 | Matt parabolic louvre    |
| Luminous flux*                         | 4730 lm                  |
| Colour Temperature                     | 4000 K cool white        |
| Luminous efficacy                      | 112 lm/W                 |
| MacAdam Light source                   | 2                        |
| Colour rendering index                 | 80                       |
| UGR max. X=4H<br>Y=8H, $\rho=70,50,20$ | 17.4                     |

## Curve



Luminaire power input\* 42.2 W

Connection of the luminaires DALI

Electrical voltage 220-240V

Frequency 50/60Hz

⊕ CE IP 20

\*±10 %

## Downloads

Installation instructions



Photos

