



## Luminaire

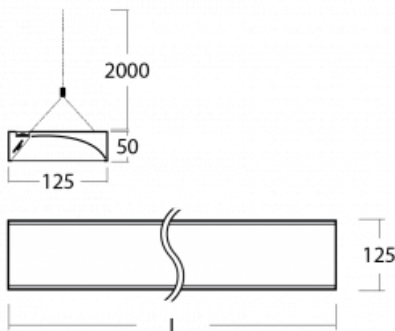
# Zuli

121-501D-25GGE/840, W



Do you remember the buzzing and flickering lights of your classroom? Fortunately these are long gone. Zuli pendant and surface-mounted LED luminaires ensure comfortable lighting in the classroom, offices and hospitals without these annoyances. These luminaires have direct or direct-indirect emission, with a choice of four lengths and microprism optics, grid and opal diffuser.

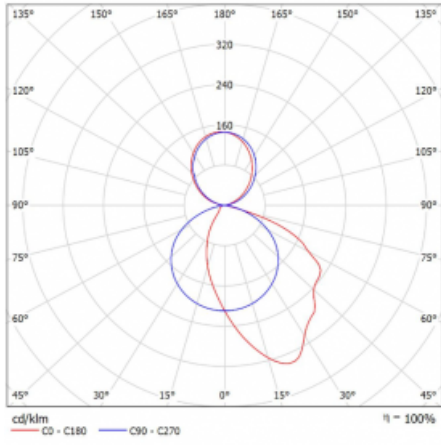
## Technical drawing



|                              |                                 |
|------------------------------|---------------------------------|
| Type of installation         | Suspended                       |
| Light distribution           | Direct-indirect                 |
| Luminaire shape              | Angular                         |
| Colour of the luminaires     | White                           |
| Material                     | Aluminium                       |
| Lifetime                     | L80/B20 50 000 hours            |
| Warranty                     | 5 years                         |
| Description of luminaires    | Luminaire suspended             |
| item description             | wall washer                     |
| Dimensions                   | 1425 mm × 125 mm × 50 mm        |
| Light source                 | LED MODUL                       |
| Type of optical system       | Asymmetric reflector            |
| Luminous flux                | 7820 lm ± 10 %                  |
| Colour Temperature           | 4000 K cool white               |
| Luminous efficacy            | 116 lm/W                        |
| MacAdam Light source         | 3                               |
| Colour rendering index       | 80                              |
| Luminaire power input        | 67.4 W ± 10 %                   |
| Connection of the luminaires | Electronic ballast non-dimmable |
| Electrical voltage           | 220-240V                        |
| Frequency                    | 50/60Hz                         |

 **CE** IP 20

# Curve



## Downloads

Installation instructions



Photos

