



Luminaire

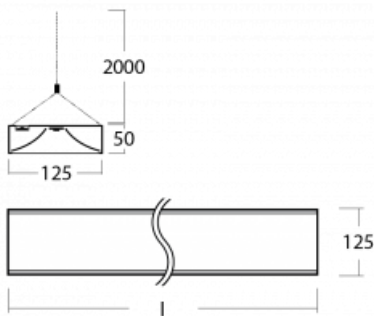
Zuli

121-500K-40GEM/840, W



Do you remember the buzzing and flickering lights of your classroom? Fortunately these are long gone. Zuli pendant and surface-mounted LED luminaires ensure comfortable lighting in the classroom, offices and hospitals without these annoyances. These luminaires have direct or direct-indirect emission, with a choice of four lengths and microprism optics, grid and opal diffuser.

Technical drawing



| | |
|------------------------------|---|
| Type of installation | Suspended |
| Light distribution | Direct |
| Colour of the luminaires | White |
| Material | Aluminium |
| Lifetime | L80/B20 50 000 hours |
| Warranty | 60 months |
| Description of luminaires | Luminaire suspended |
| Dimensions | 2265 mm × 125 mm × 50 mm |
| Light source | LED MODUL |
| Type of optical system | Opal diffuser |
| Luminous flux | 6280 lm ± 10 % |
| Colour Temperature | 4000 K cool white |
| Luminous efficacy | 147 lm/W |
| MacAdam Light source | 2 |
| Colour rendering index | 80 |
| Luminaire power input | 42.8 W ± 10 % |
| Connection of the luminaires | Electronic ballast non-dimmable with 1h emergency |
| Electrical voltage | 220-240V |
| Frequency | 50/60Hz |

⊥ CE IP 20

Downloads

Installation instructions



Photos

