



## Luminaire

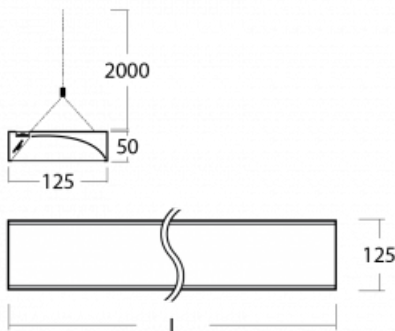
# Zuli

121-500D-25GGE/830, B



Do you remember the buzzing and flickering lights of your classroom? Fortunately these are long gone. Zuli pendant and surface-mounted LED luminaires ensure comfortable lighting in the classroom, offices and hospitals without these annoyances. These luminaires have direct or direct-indirect emission, with a choice of four lengths and microprism optics, grid and opal diffuser.

## Technical drawing



|                           |                          |
|---------------------------|--------------------------|
| Type of installation      | Suspended                |
| Light distribution        | Direct                   |
| Luminaire shape           | Angular                  |
| Colour of the luminaires  | Black                    |
| Material                  | Aluminium                |
| Lifetime                  | L80/B20 50 000 hours     |
| Warranty                  | 5 years                  |
| Description of luminaires | Luminaire suspended      |
| item description          | wall washer              |
| Dimensions                | 1425 mm × 125 mm × 50 mm |
| Weight                    | 4.5 kg                   |
| Light source              | LED MODUL                |
| Type of optical system    | Asymmetric reflector     |
| Luminous flux*            | 4480 lm                  |
| Colour Temperature        | 3000 K warm white        |
| Luminous efficacy         | 106 lm/W                 |
| MacAdam Light source      | 3                        |
| Colour rendering index    | 80                       |

## Curve



Luminaire power input\* 42.1 W

Connection of the luminaires ON/OFF

Electrical voltage 220-240V

Frequency 50/60Hz

⊕ CE IP 20

\*±10 %

## Downloads

Installation instructions



Photos

