



## Luminaire

# Lina80-S

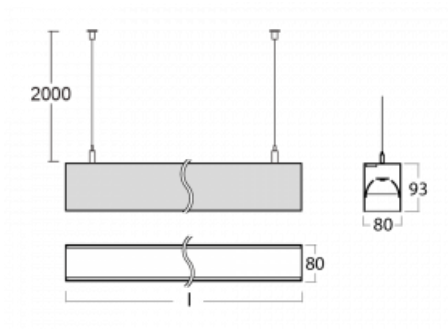
11S-501B-40GGE/840, W



EPD®

Lina80-S luminaires are available in recessed, surface, suspended or wall mounted versions, including the illuminated corner segments. Lina80-S system luminaire can be used to create different shapes or long lines, with special joints that prevent any light to shine through, creating thus a seamless visual effect, suitable for small offices as well as big halls.

## Technical drawing



|                                   |                                  |
|-----------------------------------|----------------------------------|
| Type of installation              | Wall mounted, Suspended          |
| Light distribution                | Direct-indirect                  |
| Luminaire shape                   | Linear                           |
| Colour of the luminaires          | White                            |
| Material                          | Aluminium                        |
| Lifetime                          | L90/B50 50 000 hours             |
| Warranty                          | 5 years                          |
| Description of luminaires         | Luminaire wall mounted/suspended |
| Dimensions                        | 2244 mm × 80 mm × 93 mm          |
| Light source                      | LED MODUL                        |
| Type of optical system            | MP PRO UGR                       |
| Luminous flux*                    | 10350 lm                         |
| Colour Temperature                | 4000 K cool white                |
| Luminous efficacy                 | 134 lm/W                         |
| MacAdam Light source              | 2                                |
| Colour rendering index            | 80                               |
| UGR max. X=4H<br>Y=8H, ρ=70,50,20 | 15.3                             |

|                              |          |
|------------------------------|----------|
| Luminaire power input*       | 77.1 W   |
| Connection of the luminaires | ON/OFF   |
| Electrical voltage           | 220-240V |
| Frequency                    | 50/60Hz  |

  IP 40

\*±10 %

## Downloads

Installation instructions



Photos



**Accessories**

**00-00200, N**  
 straight connector

**00-00300, N**  
 wire suspension  
 2000mm

**00-00301, N**  
 wire suspension  
 4000mm

**00-00302, N**  
 wire suspension  
 6000mm

**00-00352, K**  
 cable 3x0,75 2000mm

**00-00355, K**  
 cable 5x0,75 2000mm

**00-00356, K**  
 cable 5x0,75 4000mm

**00-00358, K**  
 cable 3x0,75 4000mm

**00-00360, K**  
 cable 3x0,75 6000mm

**00-00363, K**  
 cable 5x1,5 2000mm

**00-00364, K**  
 cable 5x1,5 4000mm

**00-00365, K**  
 cable 5x1,5 6000mm

**00-00370, W**  
 ceiling cup 80x80x32mm

**00-01200, F**  
 Accessory for gear-tray  
 release

**00-20101, W**  
 2xend cap - metal, 5-  
 conductor terminal box,  
 grommet; Lipo80/Lina80

**00-20103, W**  
 2xend cap - plastic, 5-  
 conductor terminal box,  
 grommet; Lipo80/Lina80

**00-20700, W**  
 2 pcs of wall fastening  
 Lipo/Lina

**00-51300, W**  
 set for suspension into  
 3-phase track, non-  
 dimmable luminaires