

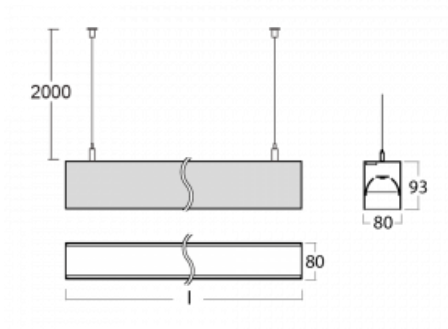

**Luminaire**

# Lina80-S

11S-501B-30GGD/840, B


**EPD<sup>®</sup>**

Lina80-S luminaires are available in recessed, surface, suspended or wall mounted versions, including the illuminated corner segments. Lina80-S system luminaire can be used to create different shapes or long lines, with special joints that prevent any light to shine through, creating thus a seamless visual effect, suitable for small offices as well as big halls.

**Technical drawing**


|  |                                  |
|--|----------------------------------|
| Type of installation                   | Wall mounted, Suspended          |
| Light distribution                     | Direct-indirect                  |
| Luminaire shape                        | Linear                           |
| Colour of the luminaires               | Black                            |
| Material                               | Aluminium                        |
| Lifetime                               | L90/B50 50 000 hours             |
| Warranty                               | 5 years                          |
| Description of luminaires              | Luminaire wall mounted/suspended |
| Dimensions                             | 1683 mm × 80 mm × 93 mm          |
| Light source                           | LED MODUL                        |
| Type of optical system                 | MP PRO UGR                       |
| Luminous flux*                         | 7590 lm                          |
| Colour Temperature                     | 4000 K cool white                |
| Luminous efficacy                      | 135 lm/W                         |
| MacAdam Light source                   | 2                                |
| Colour rendering index                 | 80                               |
| UGR max. X=4H<br>Y=8H, $\rho=70,50,20$ | 15.5                             |

Luminaire power  
input\* 56.2 W

---

Connection of the  
luminaires DALI

---

Electrical voltage 220-240V

---

Frequency 50/60Hz

---

  IP 40

\*±10 %

## Downloads

Installation instructions



Photos



**Accessories**

**00-00200, N**  
 straight connector

**00-00300, N**  
 wire suspension  
 2000mm

**00-00301, N**  
 wire suspension  
 4000mm

**00-00302, N**  
 wire suspension  
 6000mm

**00-00355, K**  
 cable 5x0,75 2000mm

**00-00356, K**  
 cable 5x0,75 4000mm

**00-00363, K**  
 cable 5x1,5 2000mm

**00-00364, K**  
 cable 5x1,5 4000mm

**00-00365, K**  
 cable 5x1,5 6000mm

**00-00366, K**  
 cable 7x0,75 2000mm

**00-00367, K**  
 cable 7x0,75 4000mm

**00-00368, K**  
 cable 7x0,75 6000mm

**00-00370, B**  
 ceiling cup 80x80x32mm

**00-01200, F**  
 Accessory for gear-tray  
 release

**00-20101, B**  
 2xend cap - metal, 5-  
 conductor terminal box,  
 grommet; Lipo80/Lina80

**00-20103, B**  
 2xend cap - plastic, 5-  
 conductor terminal box,  
 grommet; Lipo80/Lina80

**00-20700, B**  
 2 pcs of wall fastening  
 Lipo/Lina

**00-51301, B**  
 set for suspension into  
 3-phase track, dimmable  
 luminaires